

# AQUILINE FOOT SWITCH



Engineered with an eagle eye on quality and value, the AQUILINE foot switch from Linemaster soars above the rest. With the choice of SPDT, DPDT, or two-stage operation, the patented AQUILINE

is a versatile solution for applications requiring a precision lightweight or medium weight foot control. Form follows function in the AQUILINE's graceful curves and patented design, while a non-skid base pad and raised treadle ribs ensure positive performance.

The AQUILINE foot switch is available in reinforced polymeric material or metal. Of course you can always count on the famous consistency and familiar action you get with every Linemaster switch. Only from Linemaster - American made innovation at work.

LINEMASTER Switch Corporation  
Tel (860) 974-1000

29 Plaine Hill Road, P.O. Box 238  
Fax (860) 974-0691

Woodstock, CT 06281-0238 USA  
Toll-Free Fax (800) 974-3668 US Only

[www.linemaster.com/ds/aquiline/](http://www.linemaster.com/ds/aquiline/)

# AQUILINE Foot Switch

Its Got the Look and the Touch



AMERICA'S FOOT SWITCH LEADER

## Features:

Easy to Operate - Press and hold on actuation



SPDT, DPDT, or Two-Stage Operation.

Two-Stage applications are only available in the metal version



Rustproof and corrosion proof reinforced polymeric material for light duty applications



Available to IP68 degree of protection and CE marked



Available in multi-pedal versions



Non-skid base pad and raised ribs on cover for positive traction during operation



Attractive non-glare finish.

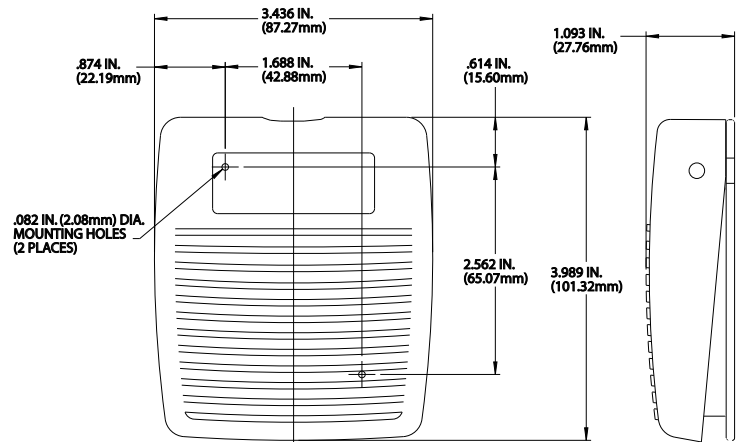
Custom colors, and color matching available with quantity orders



Integrated adjustable strain relief clamp



Full and oversized guards available



NOTE: ALL DIMENSIONS ARE FOR REFERENCE ONLY.

## SPECIFICATIONS

Approvals	EN 60529 Degree of Protection	Catalog Number	Description	Color	Circuit	Form	Electrical Ratings
	IP20	971-S	Polymeric / Momentary	Dark Gray	SPDT	C	15 A 125-250 VAC 1/2 H.P. 125-250 VAC
	IP20	971-SA	Polymeric / Momentary	Light Gray	SPDT	C	
	IP20	971-SB	Polymeric / Momentary	Blue	SPDT	C	
	IP20	971-SO	Polymeric / Momentary	Orange	SPDT	C	
	IP20	971-SY	Polymeric / Momentary	Yellow	SPDT	C	
	IP68	971-SWNO210 <sup>1</sup>	Polymeric / Momentary	Dark Gray	SPST-Wired NO	A	3 A 25 VAC
	IP68	971-SWNO210A <sup>1</sup>	Polymeric / Momentary	Light Gray	SPST-Wired NO	A	
	IP20	971-SC26 <sup>2</sup>	Polymeric / Momentary	Dark Gray	SPDT-Wired NO	A	10 A 125-250 VAC
	IP20	971-SC26A <sup>2</sup>	Polymeric / Momentary	Light Gray	SPDT-Wired NO	A	1/2 H.P. 125-250 VAC
	IP20	974-S	Polymeric / Momentary	Dark Gray	DPDT	C	15 A 125-250 VAC 1/2 H.P. 125-250 VAC
	IP20	974-SA	Polymeric / Momentary	Light Gray	DPDT	C	
	IP20	971-SM <sup>*</sup>	Die Cast Zinc / Momentary	Black	SPDT	C	15 A 125-250 VAC 1/2 H.P. 125-250 VAC
	IP20	972-S <sup>*</sup>	Die Cast Zinc / Momentary 2-Stage	Black	SPDT Each Stage	C	
	IP20	TWIN 971-SMC48 <sup>3</sup>	Die Cast Zinc / Momentary	Black	SPDT-Wired NO	A	13A 125-250 VAC; 1/2 H.P. 125-250 VAC

<sup>1</sup>Die cast metal housing. <sup>2</sup>Meets IP68 & is supplied with 10 ft. 18/2 cord without plug.

<sup>3</sup>Supplied with 6 ft. 18/2 cord without plug. <sup>3</sup>Die Cast Metal Housing; Supplied with 8 ft. 16/4 cord without plug, green lead grounded.

LINEMASTER Switch Corporation  
Tel (860) 974-1000

29 Plaine Hill Road, P.O. Box 238  
Fax (860) 974-0691

Woodstock, Connecticut 06281-0238 USA  
Toll-Free Fax (800) 974-3668 US Only

[www.linemaster.com/ds/aquiline/](http://www.linemaster.com/ds/aquiline/)