

M A I N T A I N E D
AQUILINE

**FOOT
SWITCH**

LINEMASTER[®]
AMERICA'S FOOT SWITCH LEADER



The **LINEMASTER** Maintained Aquiline foot switch offers reliable, high quality, long-life performance at a low cost. Available with a high impact polymeric cover or a robust cast aluminum

cover as standard models. The series plug cordset assembly will handle all 125 VAC requirements up to 15 amps and 1/2 HP. Featuring a skid-proof basepad and ribbed cover for sure footed control by the operator. Available acces-

sories for this switch include full and oversized steel guards and our new polymeric awareness cover. Special variations are available to the Original Equipment Manufacturer in production quantities.

LINEMASTER Switch Corporation
Tel (860) 974-1000

29 Plaine Hill Road, P.O. Box 238

Woodstock, Connecticut 06281-0238 USA
Fax (800) 974-FOOT(3668)

www.linemaster.com/ds/aquiline06/

MAINTAINED AQUILINE SET IT AND FORGET IT



FEATURES:

Easy To Operate



Press On - Press Off



Full And Oversized
Guards Available



Non-Skid Basepad



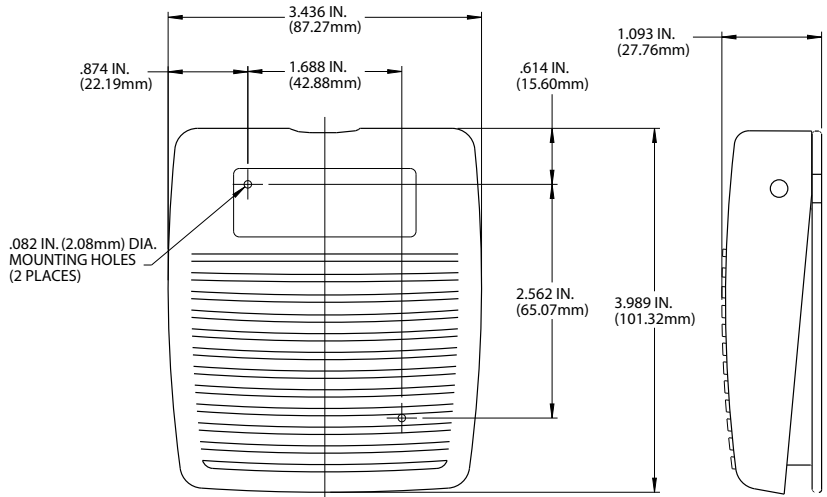
Raised Ribs On Treadle For Positive
Traction During Operation



Rustproof and Corrosionproof
Plastic Model



Intergrated Adjustable Strain Relief
Clamp



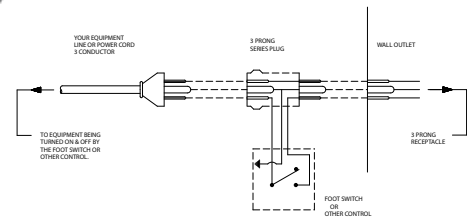
NOTE: ALL DIMENSIONS ARE FOR REFERENCE ONLY.



Dimension (W x H x D)

Single Model
SIZE:
Plastic and Metal
3.436 in x 1.093 in x 3.989 in
87.274 mm x 27.762 mm x 101.321 mm

WEIGHT:
Plastic
3.6 oz. (.102 Kg.)
Metal
15.3 oz. (.433 Kg.)



SPECIFICATIONS

	EN 60529 Degree of Protection	Catalog Number	Description	Color	Circuit	Form	Electrical Ratings
	IP20	971-DJ	Polymeric / Maintained	Black	SPST-NO	A	12 A 1 H.P. 250 VAC 1/2 H.P. 125 VAC
		971-DC3J ¹					
		971-DC26J ²					
		971-DC28J ³					
		971-DJM	Die Cast Zinc / Maintained				
		971-DC3JM ¹					
		971-DC36JM ⁴					
		971-DC38JM ⁵					

¹Supplied with 8 ft. 16/3 cord with 3 prong series plug (Restricts use of foot switch assembly to 125 VAC Only). Plastic model is not grounded.

²Supplied with 6 ft. 16/2 cord, no ground. ³Supplied with 8 ft. 16/2 cord, no ground. ⁴Supplied with 6 ft. 16/3 cord, grounded. ⁵Supplied with 8 ft. 16/3 cord, grounded.