

Heavy Duty Emergency Stops Type: GLES & GLES-SS

DESCRIPTION & FEATURES:

IDEM GLES and GLES-SS Heavy Duty Emergency Stop Switches have been designed to provide robust emergency stop protection for machines or exposed conveyors, and are suitable for use within virtually all industry sectors.

Visual indication is available (large LEDs) to provide powerful indication of system and switch status from a distance, therefore enabling the rapid re-setting of the system. Optional LED indication - Steady Green: Machine Running and Flashing Red: Machine Stopped.

Contact blocks provide up to 4 positively operated switch contacts. An optional Explosion Proof ATEX certified contact block version is available for potentially explosive areas.

- Heavy duty rugged die-cast metal body (painted yellow) or Stainless Steel 316 (Food Industry compatible).
- Conformance to ISO13850, EN60947-5-1 and EN60947-5-5.
- LED visual indication of status.
- All internal and external screws and fittings are Stainless Steel.
- Enclosure protection to IP67 - washdown suitable.
- Easy to wire offering up to 4 conduit entry points for flexibility.



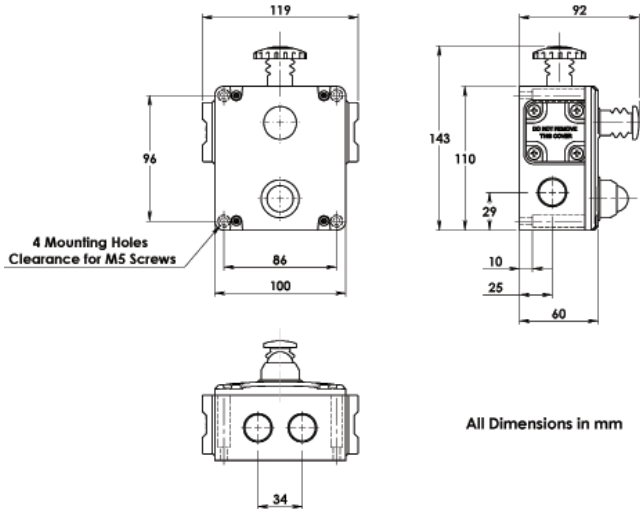
Type: GLES *not EX

Type: GLES-SS *not EX

Type: GLES-Ex

Type: GLES-SS-Ex

DIMENSIONS:



All Dimensions in mm

EX CLASSIFICATION:

- Exd IIC T6 (-20 ≤ Ta ≤ +60C) Gb
- Ex tb IIIC T85C (-20 ≤ Ta ≤ +60C) Db



S/STEEL 316 GLAND	SALES NUMBER
M20	140120
1/2" NPT	140121



IDEM recommend using our Stainless Steel 316 Gland with this switch.

TECHNICAL SPECIFICATIONS:

Standards: EN60947-5-1 EN60947-5-5 EN62061
UL508 ISO13850 ISO13849-1

Safety Classification and Reliability Data:

Mechanical Reliability B10d	1.5 x 10 ⁶ operations at 100mA load
ISO13849-1	Up to PLE depending upon system architecture
EN62061	Up to SIL3 depending upon system architecture
Safety Data – Annual Usage	8 cycles per hour/24 hours per day/365 days
	MTTFd 214 years
Enclosure/Cover Material	Die-cast (painted yellow) or Stainless Steel 316
IP Rating	IP67 IP69K
Mounting	4 x M5
Mounting Position	Any
Conduit Entries	4 x M20 or 4 x 1/2" NPT (by Sales Number)
Tongue Settings	Mounting M5 4.0Nm Lid T20 Torx M4 1.5Nm Terminals 1.0Nm
Ambient Temperature	-25C +80C
Vibration Resistance	10-500Hz 0.35mm
Shock Resistance	11ms 15g
Weight	765g to 2050g
EX Contact Type	230V 4A (4-core) 230V 2.5A (8-core)

SALES NUMBER	TYPE	CONDUIT ENTRY	CONTACTS
146001	GLES	M20	4NC 2NO
146002	GLES	1/2"NPT	4NC 2NO
146003	GLES-Ex	3m 4 core Ex	1NC 1NO
146004	GLES-Ex	3m 8 core Ex	3NC 1NO
146005	GLES-Ex	3m 4 core Ex	2NC
146006	GLES-Ex	3m 8 core Ex	2NC 2NO
147001	GLES-SS	M20	4NC 2NO
147002	GLES-SS	1/2"NPT	4NC 2NO
147003	GLES-SS-Ex	3m 4 core Ex	1NC 1NO
147004	GLES-SS-Ex	3m 8 core Ex	3NC 1NO
147005	GLES-SS-Ex	3m 4 core Ex	2NC
147006	GLES-SS-Ex	3m 8 core Ex	2NC 2NO

For LED Models add Voltage Code to Sales Number

A - 24Vdc B - 110Vac C - 230Vac (i.e. 146001 with 24Vdc LED: Order 146001-A)

Gold Plated Contacts available for low power circuits (5V 5mA).
Ordering: Add GC to Part Number e.g. 146001-A-GC