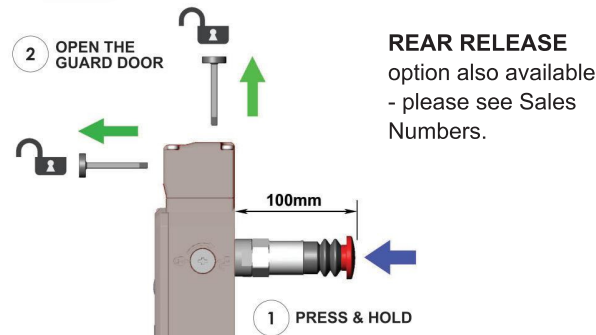
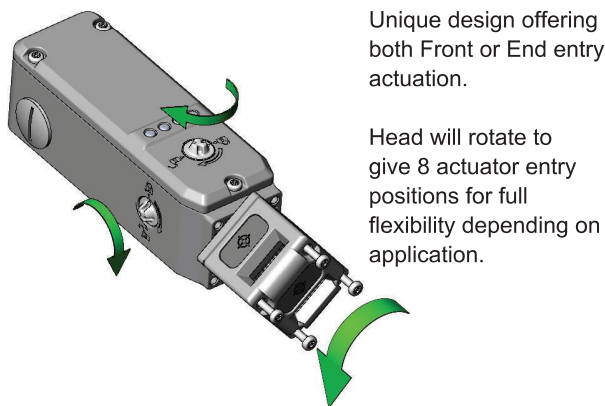


# RFID Guard Locking Switch S/Steel Type: PARSALOCK KL3-SS-Z

## FEATURES:



**REAR RELEASE**  
option also available  
- please see Sales  
Numbers.

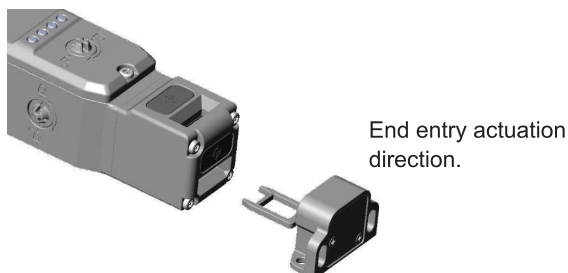


Unique design offering  
both Front or End entry  
actuation.

Head will rotate to  
give 8 actuator entry  
positions for full  
flexibility depending on  
application.



Front entry actuation  
direction.



End entry actuation  
direction.

## Solenoid Locking Interlock Safety Switch featuring RFID Interlocking

The KL3-SS-Z Series Guard Locking switches have been designed to incorporate high anti-tamper RFID coding and provide PLe safety levels to ISO13849-1.

The RFID sensing is complemented by a traditional cam locking system which has been developed with a holding Force of 3000N to keep guard doors closed until hazards have been removed.

Unique rotating head to offer both Front and End actuation.

32 million RFID codes – each switch unique – high coding to ISO14119.

The fully Stainless Steel 316 enclosure has IP69K ingress protection which is maintained by a double seal lid gasket design.

They have a slim profile and are designed to fit on 50mm (2in) frame sections or to applications where space is restricted and the head will rotate to provide up to 8 actuator entry positions and includes front and end entry sensing.

Can be high pressure hosed at high temperature with detergent.

Choice of standard or flexible actuators.

M12 Quick connect version available.

## FUNCTIONAL SPECIFICATIONS:

Solid State OSSD Safety Outputs short circuit protected.

High Functional Safety to ISO13849-1, maintains PLe Interlocking via self-test technique when switches are connected in series to a safety controller or relay.

2 Safety Circuits - closed when switch is locked and machine able to run.

1 Auxiliary circuit for indication of Guard status (Guard open).

1 Auxiliary circuit for indication of Lock Status (Guard locked).

4 diagnostic LED's to display guard position, lock, input/output signals and fault status.

## ACTUATOR OPTIONS:



AZ Standard Actuator



HFZ Flexible Actuator

**Standards:** IEC60947-5-3 ISO14119 ISO13849-1  
IEC62061 UL508

### Safety Classification and Reliability Data:

Supply Voltage	24Vdc (+/- 10%)
Power Consumption	R+ (50mA Max.) S+ (500mA Max) (Solenoid)
Safety Circuits (11-12, 21-22)	24V 0.2A
Auxiliary Circuits (34 and 44)	24Vdc 0.2A Max. output current
Rated Insulation Voltage	500VAC
Holding Force (ISO14119)	F1 Max 3000N Fzh 2307N
Actuator insertion distance for assured locking	5mm
Sao Sar (RFID sensing)	Sao 10mm Sar 20mm
Operating Frequency	1Hz
Actuator entry minimum radius	175mm Standard 100mm Flexible
Body Material	Stainless Steel 316
Head Material	Stainless Steel 316
Actuator Material	Stainless Steel 316
Enclosure Protection	IP67
Operating Temperature	-25C to +40C
Mechanical Life Expectancy	2.5 x 10 <sup>6</sup> cycles
Vibration	IEC88-2-6, 10-55Hz + 1Hz Excursion 0.35mm 1 octave/min

### Characteristic data according to IEC62061 (used as a subsystem)

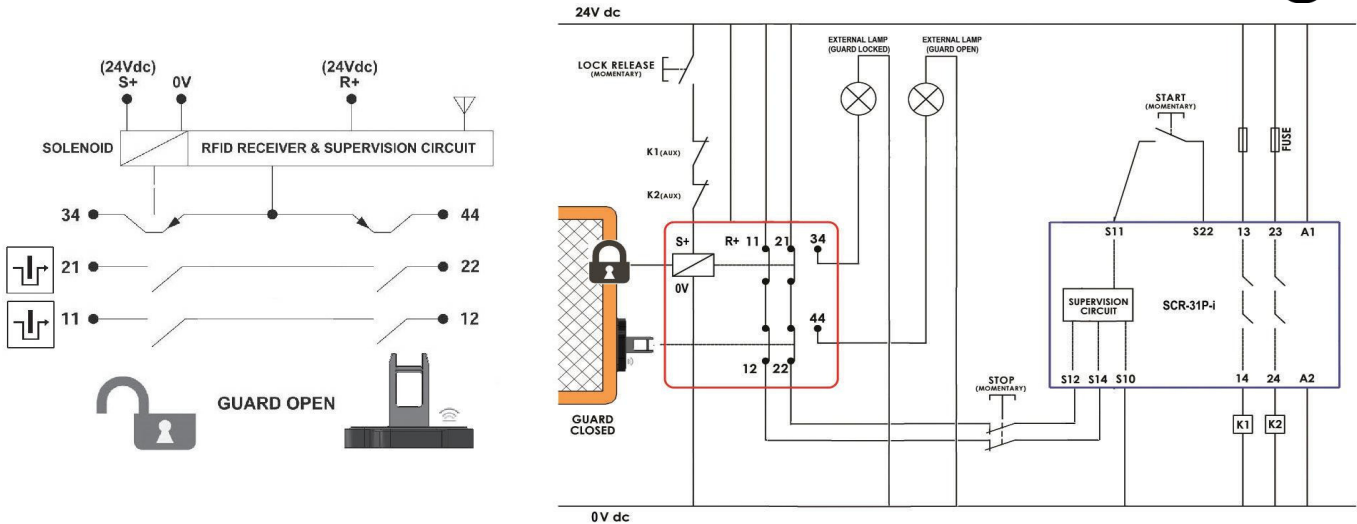
Safety Integrity Level	SIL 3
PFH (1/h)	4.80 E-10 Corresponds to 4.8% of SIL3
Proof Test Interval T <sub>1</sub>	20a

### Chararistic data according to EN ISO13849-1

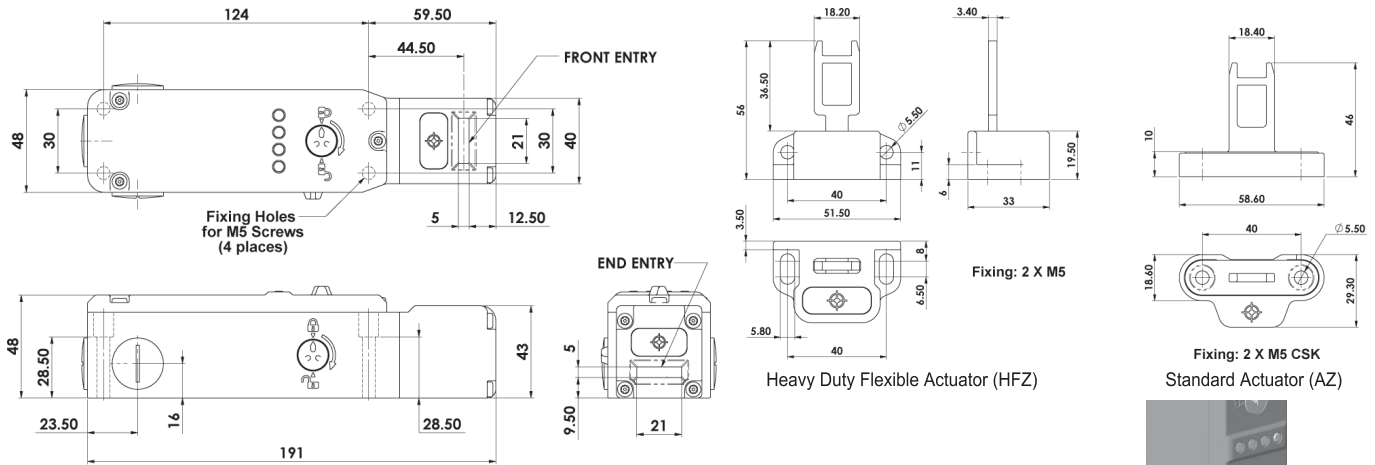
Performance Level	e	If both channels are used in conjunction with a SIL 3/PLe control device.
Category	Cat 4	
MTTF <sub>d</sub>	1100a	
Diagnostic Coverage DC	99% (high)	

# RFID Guard Locking Switch S/Steel Type: PARSALOCK KL3-SS-Z

## SCHEMATIC & CONNECTION EXAMPLE:



## DIMENSIONS:



FEMALE QC LEADS	LENGTH	SALES NUMBER
M12 8 Way	5m (15ft)	140101
M12 8 Way	10m (30ft)	140102

Quick Connect (QC) M12 8 Way Male Plug Pin View from Switch	Terminal	Function	Switch Circuit	Rating
2	R+	24V dc	Supply 24V dc	50mA max.
3	0V	0V dc	Supply 24V dc (Ground)	
7	11	Safety Input 1	Safety Circuit 1	200mA max.
1	12	Safety Output 1		
4	21	Safety Input 2	Safety Circuit 2	200mA max.
6	22	Safety Output 2		
8	44	Auxiliary (Guard Open)	Guard open signal +24V dc out	200mA max.
N/A	34	Auxiliary (Guard Locked)	Guard locked signal +24V dc out	200mA max.
5	S+	Unlocked	Unlock signal apply +24V dc	500mA max.

LED 1	Guard State
Guard Locked	Green
Guard Unlocked	Green (Flashing)
Incorrect Code	Red (Flashing)
Guard Open	Red

LED 2	Input
Safety Inputs On	Green
Safety Inputs Off	Off

LED 3	Output
Safety Outputs On	Green
Safety Outputs Off	Off

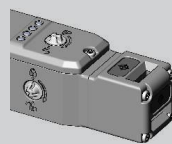
LED 4	Solenoid
Solenoid Energised	Red
Solenoid De-energised	Off

**Manual Release Key**  
(order separately - not supplied with switches)

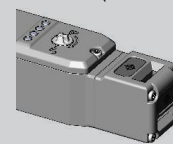


Sales Number: 140123

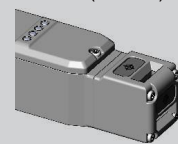
### STANDARD MANUAL RELEASE LID AND SIDE



### MANUAL RELEASE LID ONLY (Not SIDE)



### NO MANUAL RELEASE FITTED (Blanked)



SALES NUMBERS	STANDARD MANUAL RELEASE LID AND SIDE			MANUAL RELEASE LID ONLY (Not SIDE)			NO MANUAL RELEASE FITTED (Blanked)		
	M20	1/2" NPT	QC M12	M20	1/2" NPT	QC M12	M20	1/2" NPT	QC M12
KL3-SS-Z Switch with Standard Actuator	456001AZ	456002AZ	456003AZ	456401AZ	456402AZ	456403AZ	456301AZ	456302AZ	456303AZ
KL3-SS-Z Switch with Heavy Duty Flexible Actuator	456001HFZ	456002HFZ	456003HFZ	456401HFZ	456402HFZ	456403HFZ	456301HFZ	456302HFZ	456303HFZ
REAR RELEASE OPTION SALES NUMBERS									
KL3-SS-Z-RR Switch with Standard Actuator	456011AZ	456012AZ	456013AZ	456411AZ	456412AZ	456413AZ	456311AZ	456312AZ	456313AZ
KL3-SS-Z-RR Switch with Heavy Duty Flexible Actuator	456011HFZ	456012HFZ	456013HFZ	456411HFZ	456412HFZ	456413HFZ	456311HFZ	456312HFZ	456313HFZ

For all IDEM switches the normally closed (NC) circuits are closed when the guard is closed actuator inserted.