

HYGIECODE - Coded Non Contact Type: CMC

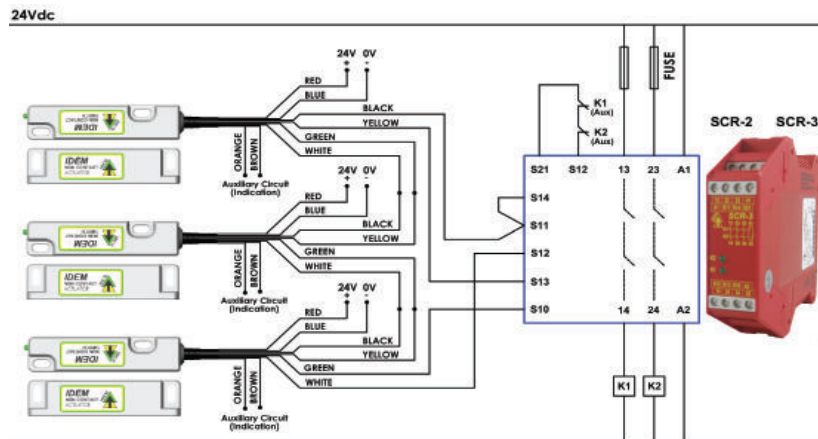
FEATURES:

Designed for Food Processing and Pharmaceutical applications
 Suitable for CIP and SIP cleaning -
 Food Splash Zones EHEDG guidelines
 Wide 14mm sensing with high tolerance to misalignment
 Industry standard slim 20mm wide housing - fits in narrow channels
 Can be high pressure hosed at high temperature - IP69K
 LED indication
 Up to: PLe ISO13849-1
 2NC 1NO circuits - high switching life - no moving parts

Stainless Steel 316 Housing mirror polished (Ra4)
Coded Magnetic Actuation
Switching Tolerance up to 14mm
Will operate with most Safety Relays



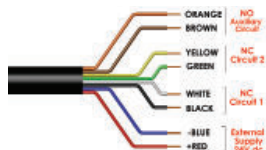
CONNECTION EXAMPLE: CODED SWITCHES



0V
 Three switches connected in series to an SCR-2 or SCR-3 to give Dual Channel monitoring with Auto Start and Contactor Feedback Check. Optional auxiliary circuits provide for remove signalling from each switch.



140101	Female QC Lead	M12 Female 5m. 8 way
140102	Female QC Lead	M12 Female 10m. 8 way

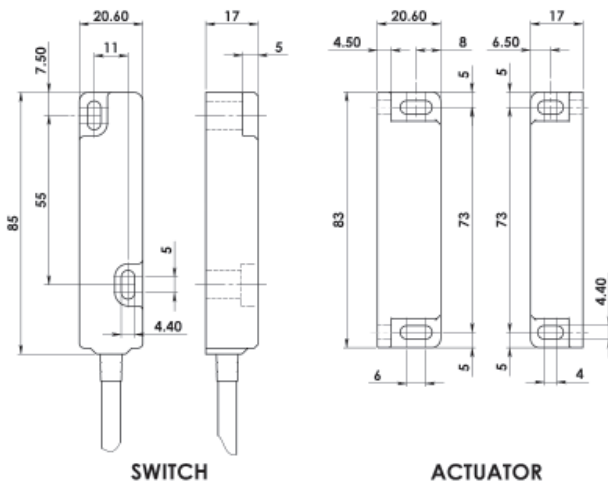


Quick Connect QC M12 8 Way Male Plug Pin view from Switch	Flying Lead Colour	Circuit (Actuator Present)	Output Types Solid State
8	Orange	Auxiliary NO or NC	200mA Max. 24Vdc
5	Brown	Auxiliary NO or NC	200mA Max. 24Vdc
4	Yellow	Safety NC2 +ve	200mA Max. 24Vdc
6	Green	Safety NC2 -ve	200mA Max. 24Vdc
7	Black	Safety NC1 +ve	200mA Max. 24Vdc
1	White	Safety NC1 -ve	200mA Max. 24Vdc
2	Red	Supply +24Vdc	Supply 24Vdc +/- 10%
3	Blue	Supply 0Vdc	Supply 24Vdc +/- 10%

Standards: ISO14119 EN60947-5-1
 EN60204-1 ISO13849-1 EN62061 UL508

Safety Classification and Reliability Data:
 ISO13849-1 Up to PLe Category 4
 PFHd 2.6×10^{-10}
 Proof Test Interval (Life) 20 years
 MTTFd 866 years
 Safety Channel 1 NC 24Vdc 0.2A Max. Rating
 Safety Channel 2 NC 24Vdc 0.2A Max. Rating
 Safety Channel 3 NO 24Vdc 0.2A Max. Rating
 Minimum Switched Current 10Vdc 1mA
 Dielectric Withstand 250Vac
 Insulation Resistance 100 Mohms
 Recommended Setting Gap 5mm
 Switching Distance Sao 10mm Close
 (Target to Target) Sar 20mm Open
 Tolerance to Misalignment 5mm in any direction from 5mm setting gap
 Switching Frequency 1.0Hz maximum
 Approach Speed 200mm/min to 1000mm/sec
 Body Material Stainless Steel 316 mirror polished finish to Ra4
 Operating Temperature -25C +105C (CIP SIP cleaning)
 Enclosure Protection IP69K IP67
 Shock Resistance IEC68-2-27 11ms 30g
 Vibration Resistance IEC68-2-6 10-55Hz 1mm
 Cable Type PVC 6 or 8 core 6mm OD Conductors 0.25mm²
 Mounting Bolts 2xM4 Tightening torque 1.0Nm
 Mounting Position Any

DIMENSIONS:



SALES NUMBER	TYPE	CABLE LENGTH	CIRCUITS
138001	Hygiecode CMC	2M	2NC
138002	Hygiecode CMC	5M	2NC
138003	Hygiecode CMC	10M	2NC
138004	Hygiecode CMC	QC-M12	2NC
138005	Hygiecode CMC	2M	2NC 1NO
138006	Hygiecode CMC	5M	2NC 1NO
138007	Hygiecode CMC	10M	2NC 1NO
138008	Hygiecode CMC	QC-M12	2NC 1NO
138105	Hygiecode CMC	2M	3NC
138106	Hygiecode CMC	5M	3NC
138107	Hygiecode CMC	10M	3NC
138108	Hygiecode CMC	QC-M12	3NC

For all IDEM switches the normally closed (NC) circuits are closed when the guard is closed and the actuator is present.

Note: 2NC 1NO versions have 2NC Safety and 1NO Auxiliary Circuits
 3NC versions have 2NC Safety and 1NC Auxiliary Circuits
AVAILABLE WITHOUT LED IF REQUIRED.