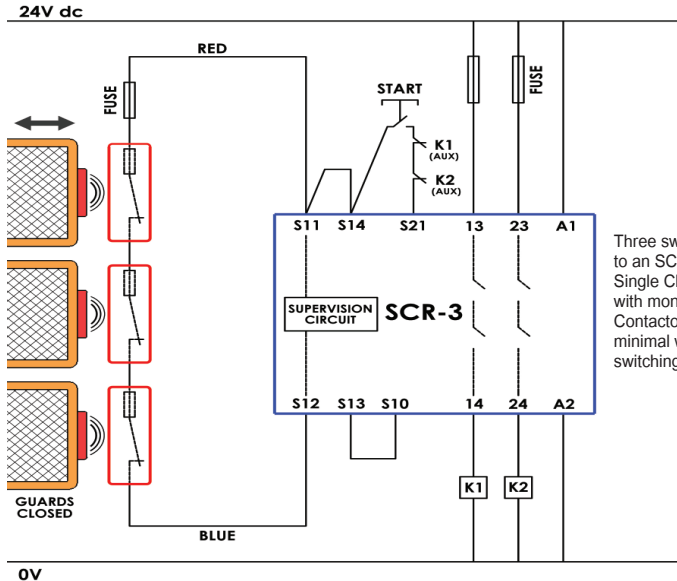


HYGIEMAG - Magnetic Non Contact Type: CMR-F

FEATURES:

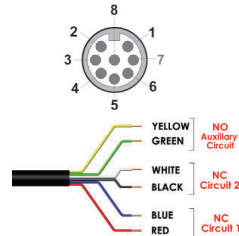
Specifically designed for Food Processing applications -
 Stainless Steel 316 Mirror Polished finish (Ra4)
 Suitable for CIP SIP cleaning, mounting holes are at the rear - no food traps
 Suitable for Food Contact Zones - EHEDG Guidelines
 Industry standard fixings - can be high pressure hosed at high temperature
 Wide sensing at 12mm with high tolerance to misalignment
 Can be high pressure hosed at high temperature
 High switching capability - up to 2.0A
 Up to: PLe ISO13849-1

CONNECTION EXAMPLE: Magnetic Switches



Three switches connected in series to an SCR-2 or SCR-3 to give Single Channel guard monitoring with monitored Manual Start and Contactor Feedback check. Allows minimal wiring but higher current switching to K1 and K2 contactors.

Quick Connect QC M12 8 Way Male Plug Pin view from Switch	Standard Lead Colour	Circuit (Actuator Present)
4	Yellow	NO
6	Green	NO
7	Black	NC2
1	White	NC2
2	Red	NC1
3	Blue	NC1



Standards: ISO14119 EN60947-5-1
 EN60204-1 ISO13849-1 EN62061 UL508

Safety Classification and Reliability Data:

Mechanical Reliability B10D	3.3 x 10 ⁶ operations at 100mA load
ISO13849-1	Up to PLe depending upon system architecture
Safety Data – Annual Usage	8 cycles per hour/24 hours per day/365 days
	MTTFd 470 years
Heavy Duty	Safety Channel 1 NC Voltage Free: 250Vac 2.0A Max. Rating
	Safety Channel 2 NC Voltage Free: 250Vac 2.0A Max. Rating
	Safety Channel 3 NO Voltage Free: 24Vdc 0.2A Max. Rating
	Fuse Internal 2.0A (F) External 1.6A (F) (User)
Medium Duty	Safety Channel 1 NC Voltage Free: 250Vac 1.0A Max. Rating
	Safety Channel 2 NC Voltage Free: 250Vac 1.0A Max. Rating
	Safety Channel 3 NO Voltage Free: 24Vdc 0.2A Max. Rating
	Fuse Internal 1.0A (F) External 0.8A (F) (User)
	<2ms
	Contact Release Time
	<500 milliohm
	Initial Contact Resistance
	10Vdc 1mA
	Minimum Switched Current
	250Vac
	Dielectric Withstand
	100 Mohms
	Insulation Resistance
	5mm
	Recommended Setting Gap
	Sao 8mm Close
	Switching Distance (Target to Target)
	Sar 22mm Open
	5mm in any direction from 5mm setting gap
	Tolerance to Misalignment
	1.0Hz maximum
	Switching Frequency
	200mm/min to 1000mm/sec
	Approach Speed
	Stainless Steel 316 mirror polished finish to Ra4
	Body Material
	-25C +105C (CIP SIP cleaning)
	Operating Temperature
	IP69K (NEMA PW12) IP67 (NEMA 6)
	Enclosure Protection
	IEC68-2-27 11ms 30g
	Shock Resistance
	IEC68-2-6 10-55Hz 1mm
	Vibration Resistance
	PVC 6 core 6mm OD Conductors 0.25mm ²
	Cable Type
	2xM4 Tightening torque 1.0Nm
	Mounting Bolts
	Any
	Mounting Position

For all IDEM switches the normally closed (NC) circuits are closed when the guard is closed and the actuator is present.



Stainless Steel 316 Housing mirror polished (Ra4)
Magnetic Actuation - Power Series 230Vac/24Vdc 2.0A
Switching Tolerance up to 12mm
No Food Traps - Rear Mounting Holes
Will operate with most Safety Relays

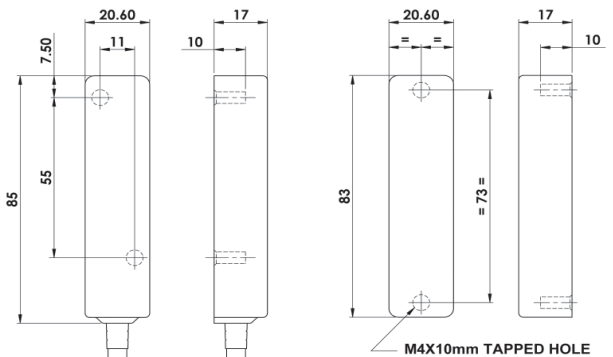
IP69K



Quick Connect M12 versions fitted with 250mm (10") cable



DIMENSIONS:



SWITCH

ACTUATOR

SALES NUMBER	TYPE	CABLE LENGTH	CIRCUITS	NC DUTY
135017	Hygiemag CMR-F	2M	2NC	Medium 1A
135018	Hygiemag CMR-F	5M	2NC	Medium 1A
135019	Hygiemag CMR-F	10M	2NC	Medium 1A
135020	Hygiemag CMR-F	QC-M12	2NC	Medium 1A
135021	Hygiemag CMR-F	2M	2NC 1NO	Medium 1A
135022	Hygiemag CMR-F	5M	2NC 1NO	Medium 1A
135023	Hygiemag CMR-F	10M	2NC 1NO	Medium 1A
135024	Hygiemag CMR-F	QC-M12	2NC 1NO	Medium 1A
135025	Hygiemag CMR-F	2M	1NC	Heavy 2A
135026	Hygiemag CMR-F	5M	1NC	Heavy 2A
135027	Hygiemag CMR-F	10M	1NC	Heavy 2A
135028	Hygiemag CMR-F	QC-M12	1NC	Heavy 2A
135029	Hygiemag CMR-F	2M	1NC 1NO	Heavy 2A
135030	Hygiemag CMR-F	5M	1NC 1NO	Heavy 2A
135031	Hygiemag CMR-F	10M	1NC 1NO	Heavy 2A
135032	Hygiemag CMR-F	QC-M12	1NC 1NO	Heavy 2A



140101	Female QC Lead	M12 Female 5m. 8 way
140102	Female QC Lead	M12 Female 10m. 8 way