

Standard Duty Emergency Stops Type: ESL-SS (4 pole)

DESCRIPTION & FEATURES:

IDEM ESL-SS Standard Duty Emergency Stop Switches have been designed to provide robust emergency stop protection for machines or exposed conveyors, and are suitable for use within virtually all industry sectors.

- Stainless Steel 316 (IP69K) can be high pressure hosed with detergents at high temperature.
- Conformance to ISO13850, EN60947-5-1 and EN60947-5-5.
- A special lid safety trip mechanism means that the safety contacts will open if the lid is removed.
- Button protection shroud versions with padlock holes for "Lock Off" in maintenance situations.
- Optional 2-colour LED.



TYPE: ESL-SS(LP) Stainless Steel 316 with 2-Colour LED and Protection Shroud



TYPE: ESL-SS (Stainless Steel 316)



TYPE: ESL-SS(P) Stainless Steel 316 with Protection Shroud and Padlock Holes



TYPE: ESL-SS(L) Stainless Steel 316 with 2-Colour LED

SALES NUMBER	TYPE	CONDUIT ENTRY	CONTACTS
232001	ESL-SS	M20	2NC 2NO
232002	ESL-SS	1/2"NPT	2NC 2NO
232003	ESL-SS	M20	3NC 1NO
232004	ESL-SS	1/2"NPT	3NC 1NO
232005	ESL-SS	M20	4NC
232006	ESL-SS	1/2"NPT	4NC

Replacement Lid quote Sales Number: 232100

SALES NUMBER	TYPE	CONDUIT ENTRY	CONTACTS
232009	ESL-SS(P)	M20	2NC 2NO
232010	ESL-SS(P)	1/2"NPT	2NC 2NO
232011	ESL-SS(P)	M20	3NC 1NO
232012	ESL-SS(P)	1/2"NPT	3NC 1NO
232013	ESL-SS(P)	M20	4NC
232014	ESL-SS(P)	1/2"NPT	4NC

Replacement Lid quote Sales Number: 232101

SALES NUMBER	TYPE	CONDUIT ENTRY	CONTACTS
232017	ESL-SS(L)	M20	2NC 2NO
232018	ESL-SS(L)	1/2"NPT	2NC 2NO
232019	ESL-SS(L)	M20	3NC 1NO
232020	ESL-SS(L)	1/2"NPT	3NC 1NO
232021	ESL-SS(L)	M20	4NC
232022	ESL-SS(L)	1/2"NPT	4NC
232023	ESL-SS(LP)	M20	2NC 2NO
232024	ESL-SS(LP)	1/2"NPT	2NC 2NO
232025	ESL-SS(LP)	M20	3NC 1NO
232026	ESL-SS(LP)	1/2"NPT	3NC 1NO
232027	ESL-SS(LP)	M20	4NC
232028	ESL-SS(LP)	1/2"NPT	4NC

Gold Plated Contacts available for low power circuits (5V 5mA). Add GC to Part Number e.g. 232001-GC

EXPLOSION PROOF MODELS ALSO AVAILABLE. PLEASE SEE PAGES 228 and 229.



Exd IIC T6 (-20 ≤ Ta ≤ +60C) Gb Ex tb IIIC T85C (-20 ≤ Ta ≤ +60C) Db

Standards: EN60947-5-1 EN60947-5-5 EN62061
UL508 ISO13850 ISO13849-1

Safety Classification and Reliability Data:

Mechanical Reliability B10d	1.5 x 10 ⁶ operations at 100mA load
ISO13849-1	Up to PLe depending upon system architecture
EN62061	Up to SIL3 depending upon system architecture
Safety Data – Annual Usage	8 cycles per hour/24 hours per day/365 days
	MTTFd 214 years
Enclosure/Cover Material	Stainless Steel 316
IP Rating	IP67 IP69K
Mounting	4 x M4
Mounting Position	Any
Conduit Entries	3 x M20 or 3 x 1/2" NPT (by Sales Number)
Tongue Settings	Mounting M4 4.0Nm Lid T20 Torx M4 1.5Nm
	Terminals 1.0Nm
Ambient Temperature	-25C +80C
Vibration Resistance	10-500Hz 0.35mm
Shock Resistance	11ms 15g
Weight	1060g to 1190g
Contact Type	EN60947-5-1 double break type Zb Snap Action up to 4NC (positive break) 2NO (Auxiliary)
Contact Material	Silver
Termination	Clamp up to 2.5mm ² conductors
Rating	Utilisation category AC15
Operational Rating	240V 3A
Thermal Current (Ith)	10A
Rated Insulation Voltage (U)	500V
Withstand Voltage (Uimp)	2500V
Short Circuit Overload Protection	Fuse externally 10A(FF)

For LED Models add Voltage Code to Sales Number

ESL-SS(L) Replacement Lid: 232102- (A, B or C)

ESL-SS(LP) Replacement Lid: 232103- (A, B or C)

Steady Green/Flashing Red

A - 24Vdc B - 110Vac C - 230Vac

Steady Green/Steady Red

AS - 24Vdc BS - 110Vac CS - 230Vac

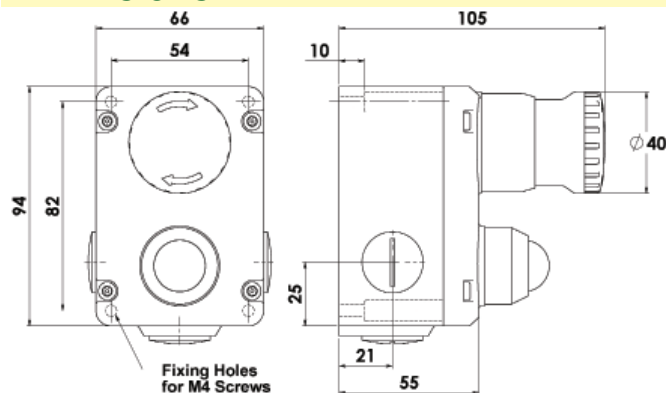
Gold Plated Contacts available for low power circuits (5V 5mA).
Ordering: Add GC to Part Number e.g. 232017-GC



S/STEEL 316 GLAND	SALES NUMBER
M20	140120
1/2" NPT	140121

IDEM recommend their Stainless Steel 316 Gland with this switch.

DIMENSIONS:



TYPE: ESL-SS(L)

EXPLOSION PROOF Emergency Stops Type: ESL-SS



DESCRIPTION & FEATURES:

IDEM ESL-SS EXPLOSION PROOF Emergency Stop Switches have been designed to provide robust emergency stop protection for machines or exposed conveyors, and are suitable for use within virtually all industry sectors.

- Stainless Steel 316 (IP69K) can be high pressure hosed with detergents at high temperature.
- Conformance to ISO13850, EN60947-5-1, EN60947-5-5.
- ATEX and IECEx certified for use in Zones 1, 21, 2 and 22 - Gas and Dust.
- A special lid safety trip mechanism means that the safety contacts will open if the lid is removed.
- Button protection shroud versions with padlock holes for "Lock Off" in maintenance situations.



IP69K

TYPE: ESL-SS-Ex (Stainless Steel 316)



IP69K

TYPE: ESL-SS(P)-Ex Stainless Steel 316 with Protection Shroud and Padlock Holes

SALES NUMBER	TYPE	CONDUIT ENTRY	CONTACTS
232007	ESL-SS	EX 3m	1NC 1NO
232008	ESL-SS	EX 3m	2NC
232029	ESL-SS	EX 3m	2NC 2NO

Replacement Lid quote Sales Number: 232100

SALES NUMBER	TYPE	CONDUIT ENTRY	CONTACTS
232015	ESL-SS(P)	EX 3m	1NC 1NO
232016	ESL-SS(P)	EX 3m	2NC
232030	ESL-SS(P)	EX 3m	2NC 2NO

Replacement Lid quote Sales Number: 232101

EX CLASSIFICATION:

Ex Exd IIC T6 (-20 ≤ Ta ≤ +60C) Gb

Ex Ex tb IIIC T85C (-20 ≤ Ta ≤ +60C) Db



S/STEEL 316 GLAND	SALES NUMBER
M20	140120
1/2" NPT	140121



IDEM recommend using our Stainless Steel 316 Gland with this switch.

TECHNICAL SPECIFICATIONS:

Standards: EN60947-5-1 EN60947-5-5 EN62061 UL508 ISO13850 ISO13849-1

Safety Classification and Reliability Data:

Mechanical Reliability B10d	1.5 x 10 ⁶ operations at 100mA load
ISO13849-1	Up to PLe depending upon system architecture
EN62061	Up to SIL3 depending upon system architecture
Safety Data – Annual Usage	8 cycles per hour/24 hours per day/365 days
	MTTFd 214 years
Enclosure/Cover Material	Stainless Steel 316
IP Rating	IP67 IP69K
Mounting	4 x M4
Mounting Position	Any
Conduit Entries	3 x M20 or 3 x 1/2" NPT (by Sales Number)
Tongue Settings	Mounting M4 4.0Nm Lid T20 Torx M4 1.5Nm Terminals 1.0Nm
Ambient Temperature	-25C +80C
Vibration Resistance	10-500Hz 0.35mm
Shock Resistance	11ms 15g
Weight	1060g to 1190g
EX Contact Type	230V 4A (4-core) 230V 2.5A (8-core)

DIMENSIONS:

