

# Guard Locking - Rear Manual Escape Release Switches

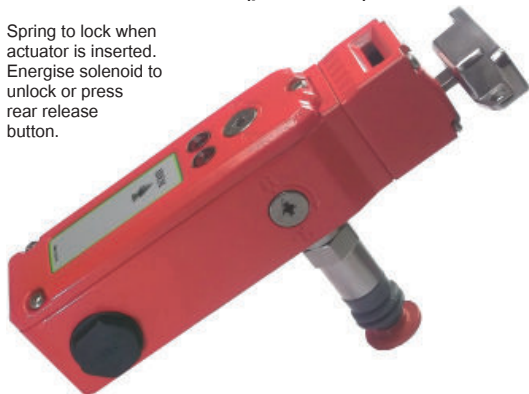
## Types: KLM-RR & HYGIELOCK KL3-SS-RR

### FEATURES & APPLICATION:



#### KLM-RR - IP67 Die-Cast (painted red)

Spring to lock when actuator is inserted. Energise solenoid to unlock or press rear release button.



#### KL3-SS-RR - IP69K

Stainless Steel 316 Housing with mirror polished finish (Ra10)

Spring to lock when actuator is inserted. Energise solenoid to unlock or press rear release button.



IP69K

**Solenoid Locking Door Interlock Safety Switches featuring Guard Holding up to 3000N (300Kg) (F1Max) and Rear Manual Escape Release**

All the features and specifications of the standard KLM and KL3-SS are maintained with the addition of an extra Rear Manual Escape Release button being provided at the rear of the housing.

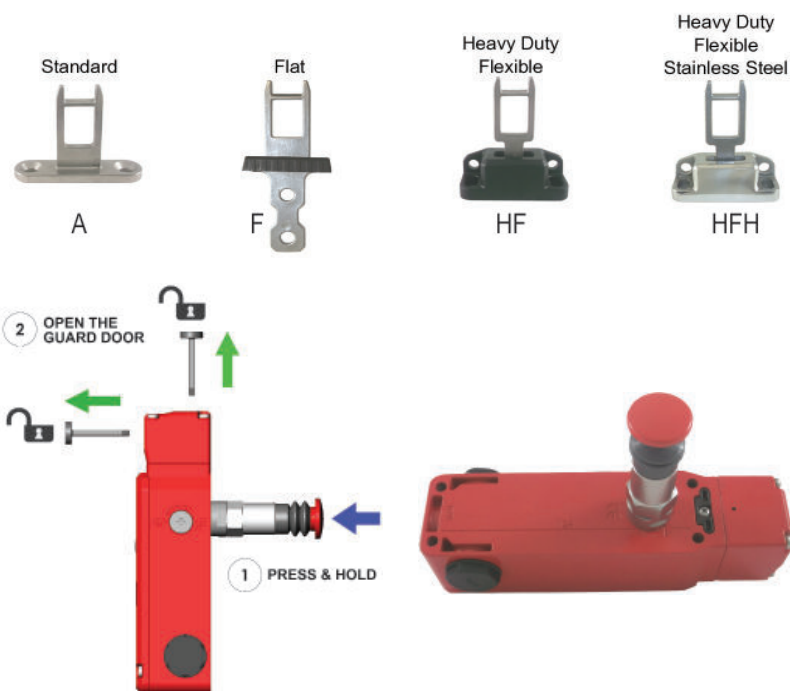
#### APPLICATION:

Where the risk assessment for the application permits, a non-latching manual escape release is provided to enable quick release of the switch lock in case of emergency.

The switch can be mounted such that access to the release button is available from inside the active guard area.

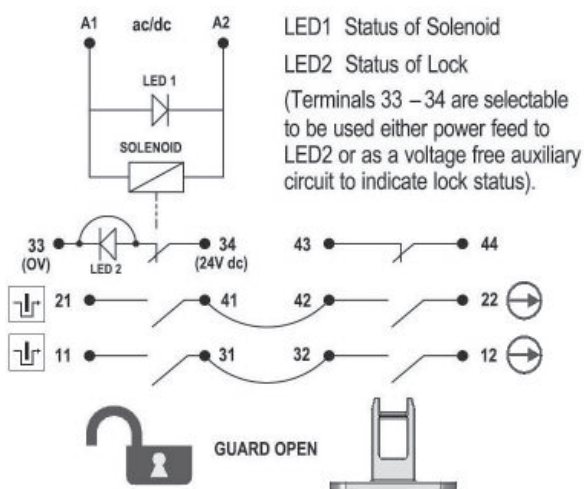
Pressing and holding the red button will release the lock mechanism and open the lock monitoring contacts whilst the guard can be pushed open.

### ACTUATOR OPTIONS (see p100)



**Standards:** ISO14119 EN60947-5-1 EN60204-1  
ISO13849-1 EN62061 UL508

### SCHEMATIC CIRCUIT:



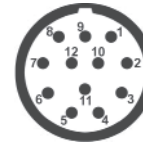
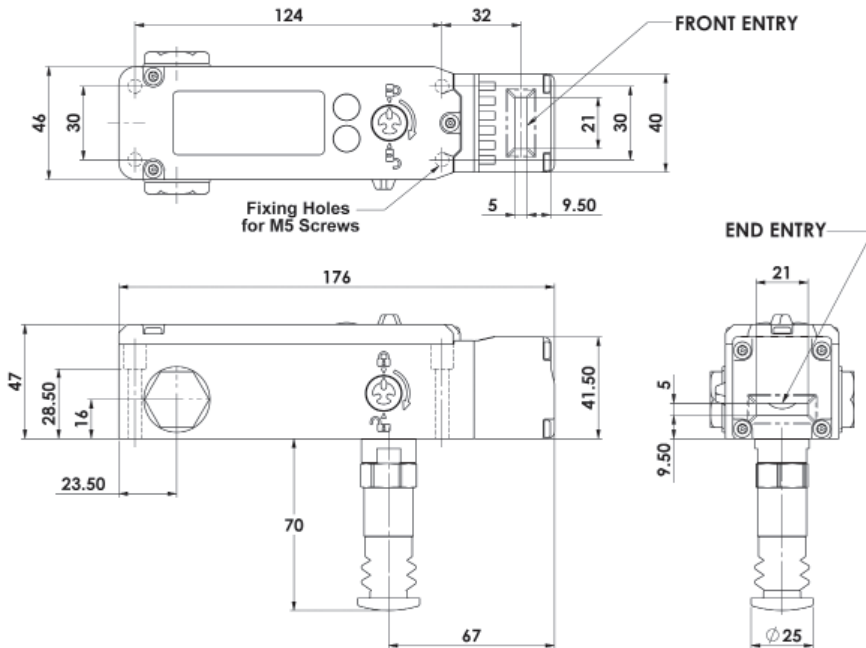
#### Safety Classification and Reliability Data:

Mechanical Reliability B10d	2.5 x 10 <sup>6</sup> operations at 100mA load
ISO13849-1	Up to PLe depending upon system architecture
EN62061	Up to SIL3 depending upon system architecture
Safety Data – Annual Usage	8 cycles per hour/24 hours per day/365 days
	MTTFd 356 years
KLT-SS - Solenoid Voltage (by Sales Number)	24V ac/dc or 110Vac or 230Vac
Solenoid Wattage	12W
LED 2 Supply Voltage	24Vac
Utilization Category	AC15 A300 3A
Thermal Current (Ith)	5A
Rated Insulation/Withstand Voltages	600Vac/2500Vac
Travel for Positive Opening	10mm
Actuator Entry Minimum Radius	175mm Standard 100mm Heavy Duty
Maximum Approach/Withdrawal Speed	600mm/s
Holding Force	F1Max 3000N Fzh 2307N
Body Material	KLM-RR Die Cast (painted red)
	KL3-SS-RR Polished Stainless Steel 316
Head Material	Die Cast or Stainless Steel 316
	KL3-SS-RR Polished Stainless Steel 316
Enclosure Protection	KLM-RR IP67
	KL3-SS-RR IP69K
Operating Temperature	-25C +50C
Vibration	IEC 68-2-6 10-55Hz + 1Hz
	Excursion 0.35mm 1 octave/min
Conduit Entry	Various (See Sales Number)
Fixing	4 x M5

# Guard Locking - Rear Manual Escape Release Switches

## Types: KLM-RR & HYGIELOCK KL3-SS-RR

### DIMENSIONS:



Quick Connect (QC) M23 12 Way Male Plug Connector Length 24mm Pin View from Switch	Switch Circuit
1 3	A1 A2
4 6	11/12
7 8	21/22
2 5	43/44
9	33
10	34
Earth	12

STAINLESS STEEL 316 GLAND	SALES NUMBER
M20	140120
1/2" NPT	140121



IDEM recommend using our Stainless Steel 316 Gland with this switch.

FEMALE QC LEADS	LENGTH	SALES NUMBER
M23 12 Way	5m (15ft)	140143
M23 12 Way	10m (30ft)	140144

KLM-RR Die Cast painted red (Stainless Steel Head option available)	STANDARD MANUAL RELEASE LID AND SIDE			MANUAL RELEASE LID ONLY (Not SIDE)			NO MANUAL RELEASE FITTED (Blanked)				
	SALES NUMBER	SOLENOID VOLTAGE	M20	1/2" NPT	QC M23	M20	1/2" NPT	QC M23	M20	1/2" NPT	QC M23
Kobra KLM-RR Switch	24V ac/dc	212001	212002	212003	212401	212402	212403	212301	212302	212303	
Kobra KLM-RR Switch	110V ac	212004	212005	212006	212404	212405	212406	212304	212305	212306	
Kobra KLM-RR Switch	230V ac	212007	212008	212009	212407	212408	212409	212307	212308	212309	
Kobra Actuator	Standard				Add A to Sales Part Number						
Kobra Actuator	Flat				Add F to Sales Part Number						
Kobra Actuator	Heavy Duty Flexible				Add HF to Sales Part Number						
Kobra Actuator	S/Steel Heavy Duty Flexible				Add HFH to Sales Part Number						
Stainless Steel Head Versions					Add SS to Sales Part Number						
<b>Ordering Example: 24V Solenoid M20 Conduit Standard Manual Release Standard Actuator: Sales Number: 212001-A</b>											

KL3-SS-RR Stainless Steel 316 (Mirror Polished Finish to Ra10)	STANDARD MANUAL RELEASE LID AND SIDE			MANUAL RELEASE LID ONLY (Not SIDE)			NO MANUAL RELEASE FITTED (Blanked)				
	SALES NUMBER	SOLENOID VOLTAGE	M20	1/2" NPT	QC M23	M20	1/2" NPT	QC M23	M20	1/2" NPT	QC M23
Kobra KL3-SS-RR Switch	24V ac/dc	215001	215002	215003	215401	215402	215403	215301	215302	215303	
Kobra KL3-SS-RR Switch	110V ac	215004	215005	215006	215404	215405	215406	215304	215305	215306	
Kobra KL3-SS-RR Switch	230V ac	215007	215008	215009	215407	215408	215409	215307	215308	215309	
Kobra Actuator	Standard				Add A to Sales Part Number						
Kobra Actuator	Flat				Add F to Sales Part Number						
Kobra Actuator	Heavy Duty Flexible				Add HF to Sales Part Number						
Kobra Actuator	S/Steel Heavy Duty Flexible				Add HFH to Sales Part Number						
Manual Release Key (order separately - not supplied with switches)											
Sales Number: 140123	<b>Ordering Example: 24V Solenoid 1/2" NPT Conduit Manual Release Lid Only Flat Actuator: Sales Number: 215402-F</b>										