

Guard Locking - Rear Manual Escape Release Switches

Types: KLTM-RR & KLT-SS-RR (also with RFID)

FEATURES & APPLICATION:



KLTM-RFID-RR - IP67 Die-Cast (painted red)

Spring to lock when actuator is inserted. Energise solenoid to unlock or press rear release button.



KLT-RFID-SS-RR - IP69K Stainless Steel 316 Housing with mirror polished finish (Ra10)

Spring to lock when actuator is inserted. Energise solenoid to unlock or press rear release button.



Solenoid Locking Door Interlock Safety Switches featuring Guard Holding up to 3000N (300Kg) (F1Max) and Rear Manual Escape Release

All the features and specifications of the standard KLTM and KLT-SS are maintained with the addition of an extra Rear Manual Escape Release button being provided at the rear of the housing.

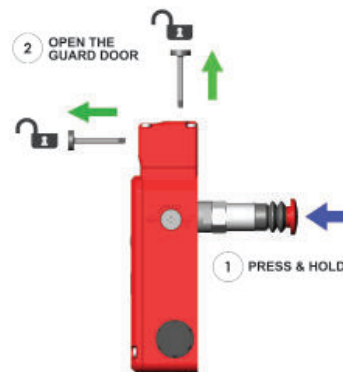
Also available with RFID coding.

APPLICATION:

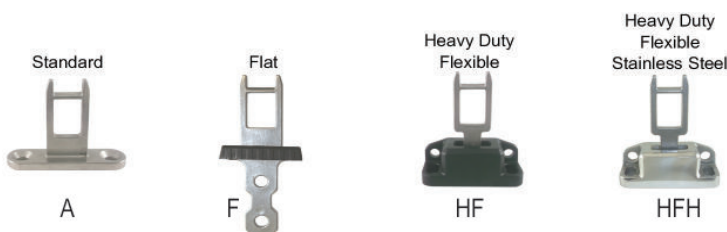
Where the risk assessment for the application permits, a non-latching manual escape release is provided to enable quick release of the switch lock in case of emergency.

The switch can be mounted such that access to the release button is available from inside the active guard area.

Pressing and holding the red button will release the lock mechanism and open the lock monitoring contacts whilst the guard can be pushed open.



ACTUATORS (KLTM-RR & KLT-SS-RR) (see p100)



Standards: ISO14119 EN60947-5-1 EN60204-1
ISO13849-1 EN62061 UL508

Safety Classification and Reliability Data:

Mechanical Reliability B10d 2.5 x 10⁶ operations at 100mA load
ISO13849-1 Up to PLe depending upon system architecture
EN62061 Up to SIL3 depending upon system architecture
Safety Data – Annual Usage 8 cycles per hour/24 hours per day/365 days

MTTFd 356 years

KLTM-RR & KLT-SS-RR Solenoid Voltage 24V ac/dc or 110Vac or 230Vac (by Sales No.)

Solenoid Wattage 12W

LED 2 Supply Voltage 24Vdc

Thermal Current (Ith) 5A

Rated Insulation/Withstand Voltages 600Vac/2500Vac

Travel for Positive Opening 10mm

Actuator Entry Minimum Radius 175mm Standard 100mm Heavy Duty

Maximum Approach/Withdrawal Speed 600mm/s

Holding Force F1Max 3000N Fzh 2307N

Body Material KLTM-RR Die Cast (painted red)

KLT-SS-RR Polished Stainless Steel 316

KLTM-RR Die Cast (painted red)

KLT-SS-RR Polished Stainless Steel 316

Enclosure Protection KLTM-RR IP67

KLT-SS-RR IP69K

Operating Temperature -25C +40C

Vibration IEC 68-2-6 10-55Hz + 1Hz

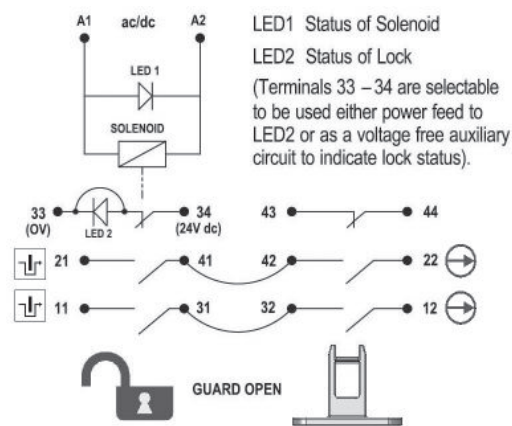
Excursion 0.35mm 1 octave/min

Conduit Entry Various (See Sales Number)

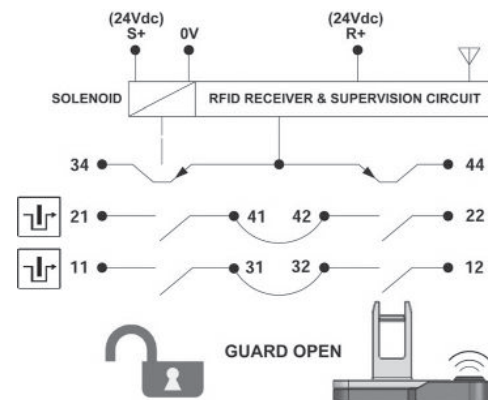
Fixing 4 x M5

SCHEMATIC CIRCUITS:

KLTM-RR KLT-SS-RR (Mechanical only version):



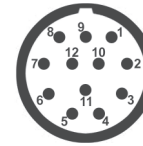
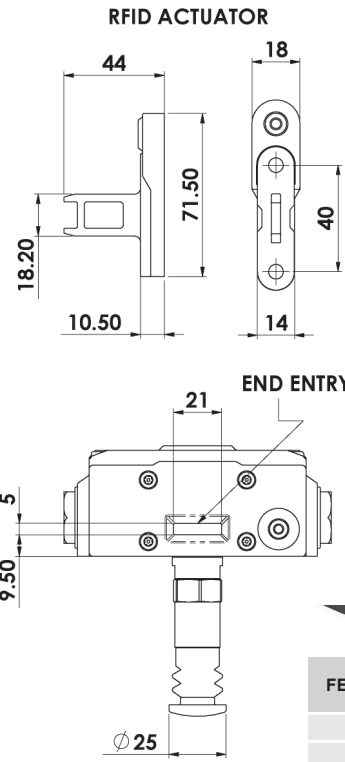
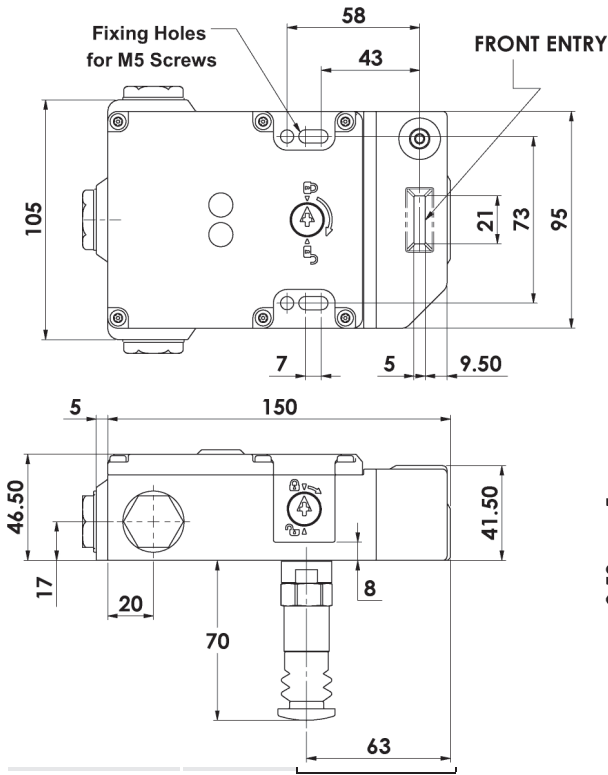
KLTM-RFID-RR KLT-SS-RFID-RR (RFID version):



Guard Locking - Rear Manual Escape Release Switches

Types: KLTM-RR & KLT-SS-RR (also with RFID)

DIMENSIONS:



Quick Connect (QC) M23 12 Way Male Plug Connector Length 24mm Pin View from Switch		Switch Circuit	
1	3	A1	A2
4	6	11/12	
7	8	21/22	
2	5	43/44	
9		33	
10		34	
Earth		12	

FEMALE QC LEADS	LENGTH	SALES NUMBER
M23 12 Way	5m (15ft)	140143
M23 12 Way	10m (30ft)	140144

SALES NUMBER	SOLENOID VOLTAGE	M20	1/2" NPT	QC M23
RAMZLOCK KLTM-RR Switch (Mechanical only)	24V ac/dc	452001	452002	452003
RAMZLOCK KLTM-RR Switch (Mechanical only)	110V ac	452004	452005	452006
RAMZLOCK KLTM-RR Switch (Mechanical only)	230V ac	452007	452008	452009
RAMZLOCK KLTM Actuator	Standard	Add A	to Sales Part Number	
RAMZLOCK KLTM Actuator	Flat	Add F	to Sales Part Number	
RAMZLOCK KLTM Actuator	Heavy Duty Flexible	Add HF	to Sales Part Number	
RAMZLOCK KLTM Actuator	S/Steel Heavy Duty Flexible	Add HFH	to Sales Part Number	

Ordering Example: KLTM-RR M20 24V ac/dc Heavy Duty Flexible Actuator: Sales Number: 452001-HF

SALES NUMBER	SUPPLY VOLTAGE/HEAD POSITION	M20	1/2" NPT	QC M23
RAMZLOCK KLTM-RFID-RR Switch Supplied complete with uniquely coded actuator	24V dc Actuator Entry Positions: Front Entry End Entry (Lower)	452201	452202	452203

SALES NUMBER	SOLENOID VOLTAGE	M20	1/2" NPT	QC M23
KLT-SS-RR Switch (Mechanical only)	24V ac/dc	453001	453002	453003
KLT-SS-RR Switch (Mechanical only)	110V ac	453004	453005	453006
KLT-SS-RR Switch (Mechanical only)	230V ac	453007	453008	453009
KLT-SS Actuator	Standard	Add A	to Sales Part Number	
KLT-SS Actuator	Flat	Add F	to Sales Part Number	
KLT-SS Actuator	Heavy Duty Flexible	Add HF	to Sales Part Number	
KLT-SS Actuator	Stainless Steel Heavy Duty Flexible	Add HFH	to Sales Part Number	

Ordering Example: KLT-SS-RR M20 24V ac/dc Heavy Duty Flexible Actuator: Sales Number: 453001-HF

SALES NUMBER	SUPPLY VOLTAGE/HEAD POSITION	M20	1/2" NPT	QC M23
KLT-SS-RFID-RR Switch Supplied complete with uniquely coded actuator	24V dc Actuator Entry Positions: Front Entry End Entry (Lower)	453201	453202	453203

STAINLESS STEEL 316 GLAND	SALES NUMBER
M20	140120
1/2" NPT	140121



IDEM recommend using our Stainless Steel 316 Gland with this switch.