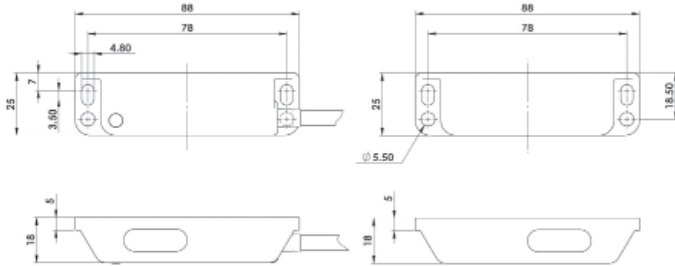


RFID Coded Non Contact Type: LMF Stainless Steel 316

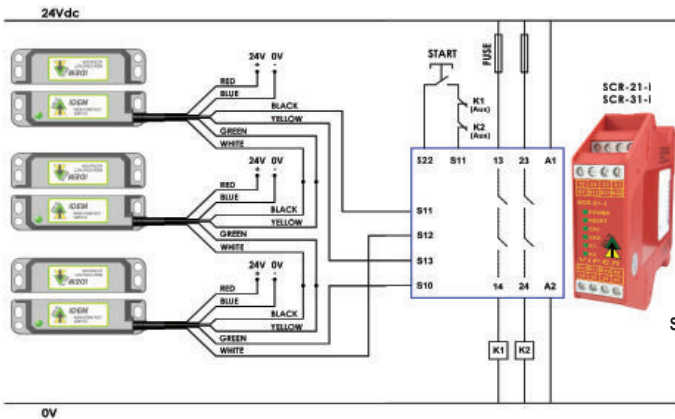
FEATURES:

- Specifically designed for Food Processing applications
- Suitable for CIP cleaning - Food Splash Zones EHEDG Guidelines
- Wide 14mm sensing with high tolerance to misalignment
- LED indication
- Can be high pressure hosed with detergent at high temperature
- Up to: PL e ISO13849-1
- 2NC 1NO circuits - high switching life - no moving parts
- Quick Connect versions available

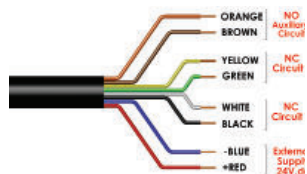
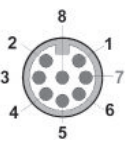
DIMENSIONS:



CONNECTION EXAMPLE



Three 2NC version switches connected in series to an SCR-21-i or SCR-31-i to give Dual Channel monitoring with Manual Start and Contactor Feedback Check



Quick Connect QC M12 8 Way Male Plug Pin view from Switch	Flying Lead Colour	Circuit (Actuator Present)	Output Types Solid State
8	Orange	Auxiliary NO	200mA Max. 24Vdc
5	Brown	Auxiliary NO	200mA Max. 24Vdc
4	Yellow	Safety NC2	200mA Max. 24Vdc
6	Green	Safety NC2	200mA Max. 24Vdc
7	Black	Safety NC1	200mA Max. 24Vdc
1	White	Safety NC1	200mA Max. 24Vdc
2	Red	Supply +24Vdc	Supply 24Vdc +/- 10%
3	Blue	Supply 0Vdc	Supply 24Vdc +/- 10%

SALES NUMBER	MASTER CODED (same code every switch)	CABLE LENGTH
406102	LMF-M-RFID	5M
406103	LMF-M-RFID	10M
406104	LMF-M-RFID	QC-M12
406201	Replacement Actuator Master Coded	

For all IDEM switches the normally closed (NC) circuits are closed when the guard is closed and the actuator is present.



RFID Coded Actuation

Switching Tolerance up to 14mm

Will operate with most Safety Relays



Quick Connect M12 versions fitted with 250mm (10") cable

OPERATING DIRECTION:



Standards: ISO14119 EN60947-5-3 EN60204-1 ISO13849-1 EN62061 UL508

Safety Classification and Reliability Data:

- Minimum switched current: 10V.dc 1mA
- Dielectric Withstand: 250V.ac
- Insulation Resistance: 100 Mohms
- Recommended setting gap: 5mm
- Switching Distance: Sao 8mm Close Sar 20mm Open

- Tolerance to Misalignment: 5mm in any direction from 5mm setting gap
- Switching frequency: 1.0 Hz maximum
- Approach speed: 200mm/m to 1000mm/s
- Body material: Stainless Steel 316 (mirror polished finish)
- Temperature Range: -25/80C (105C for CIP/SIP)
- Enclosure Protection: IP67/IP69K
- Cable Type: PVC 6 or 8 core 6mm OD Conductors 0.25mm²
- Mounting Bolts: 2 x M4 Tightening torque 1.0 Nm
- Mounting Position: Any

Characteristic Data according to IEC62061 (used as a sub system):

- Safety Integrity Level: SIL3
- PFH (1/h): 4.77E-10 Corresponds to 4.8% of SIL3
- PFD: 4.18E-05 Corresponds to 4.2% of SIL3
- Proof Test Interval T₁: 20a

Characteristic Data according to EN ISO13849-1:

- Performance Level: e If both channels are used in combination with a SIL3/PL e control device
- Category: Cat4
- MTTFd: 1100a
- Diagnostic Coverage DC: 99% (high)
- Number of operating days per year: d_{op} = 365d
- Number of operating hours per day: h_{op} = 24h
- B10d: not mechanical parts implemented

When the product is used deviant from these assumptions (different load, operating frequency, etc.) the values have to be adjusted accordingly.

SALES NUMBER	UNIQUELY CODED (every switch unique activation)	CABLE LENGTH
406002	LMF-U-RFID	5M
406003	LMF-U-RFID	10M
406004	LMF-U-RFID	QC-M12

140101	Female QC Lead	M12 Female 5m. 8 way
140102	Female QC Lead	M12 Female 10m. 8 way