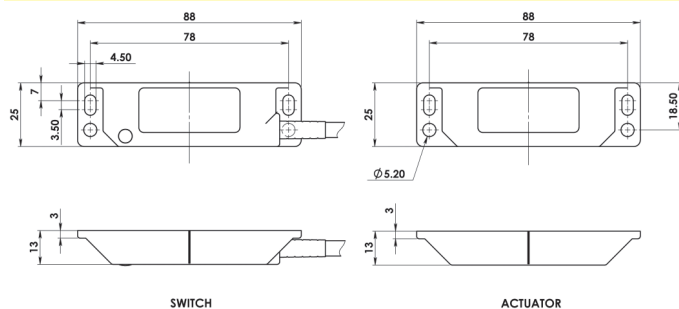


RFID Coded Non Contact Type: LPF

FEATURES:

Popular European fitting suitable for all industry applications
 LED indication
 Can be high pressure hosed at high temperature due to IP69K rating
 Wide sensing at 14mm with high tolerance to misalignment
 High specification polyester housing with integral back plate
 Quick Connect versions available
 Up to: PLe ISO13849-1
 2NC 1NO circuits - high switching life - no moving parts
 Magnet holding option available for use with small guards

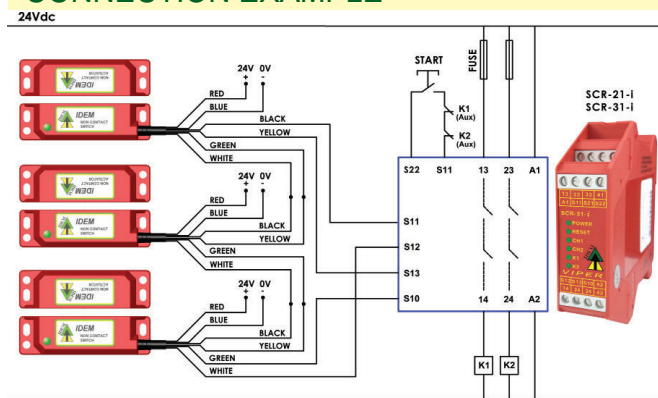
DIMENSIONS:



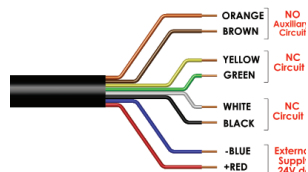
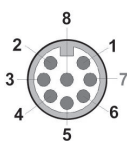
SWITCH

ACTUATOR

CONNECTION EXAMPLE



0V
 Three switches connected in series to an SCR-21-i or SCR-31-i to give
 Dual Channel monitoring with monitored Manual Start and Contactor Feedback Check



Quick Connect QC M12 8 Way Male Plug Pin view from Switch	Flying Lead Colour	Circuit (Actuator Present)	Output Types Solid State
8	Orange	Auxiliary NO	200mA Max. 24Vdc
5	Brown	Auxiliary NO	200mA Max. 24Vdc
4	Yellow	Safety NC2	200mA Max. 24Vdc
6	Green	Safety NC2	200mA Max. 24Vdc
7	Black	Safety NC1	200mA Max. 24Vdc
1	White	Safety NC1	200mA Max. 24Vdc
2	Red	Supply +24Vdc	Supply 24Vdc +/- 10%
3	Blue	Supply 0Vdc	Supply 24Vdc +/- 10%

SALES NUMBER	MASTER CODED (same code every switch)	CABLE LENGTH
404101	LPF-M-RFID	2M
404102	LPF-M-RFID	5M
404103	LPF-M-RFID	10M
404104	LPF-M-RFID	QC-M12
404201	Replacement Actuator Master Coded	

For all IDEM switches the normally closed (NC) circuits are closed when the guard is closed and the actuator is present.

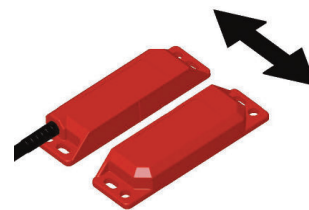
RFID Coded Actuation
Switching Tolerance up to 14mm
Will operate with most Safety Relays



IP69K



OPERATING DIRECTION:



Standards: ISO14119 EN60947-5-3 EN60204-1 ISO13849-1 EN62061 UL508

Safety Classification and Reliability Data:
 Minimum switched current: 10V.dc 1mA
 Dielectric Withstand: 250V.ac
 Insulation Resistance: 100 Mohms
 Recommended setting gap: 5mm
 Switching Distance:
 Sao 8mm Close
 Sar 20mm Open
 Tolerance to Misalignment: 5mm in any direction from 5mm setting gap
 Switching frequency: 1.0 Hz maximum
 Approach speed: 200mm/m to 1000mm/s
 Body material: Polyester
 Temperature Range: -25/80C
 Enclosure Protection: IP67/IP69K
 Cable Type: PVC 6 or 8 core 6mm OD Conductors 0.25mm²
 Mounting Bolts: 2 x M4 Tightening torque 1.0 Nm
 Mounting Position: Any

Characteristic Data according to IEC62061 (used as a sub system):

Safety Integrity Level SIL3
 PFH (1/h) 4.77E-10 Corresponds to 4.8% of SIL3
 PFD 4.18E-05 Corresponds to 4.2% of SIL3
 Proof Test Interval T_i 20a

Characteristic Data according to EN ISO13849-1:

Performance Level e If both channels are used in combination with a SIL3/PLe control device
 Category Cat4
 MTTFd 1100a
 Diagnostic Coverage DC 99% (high)
 Number of operating days per year: d_{op} = 365d
 Number of operating hours per day: h_{op} = 24h
 B10d not mechanical parts implemented

When the product is used deviant from these assumptions (different load, operating frequency, etc.) the values have to be adjusted accordingly.



140101	Female QC Lead	M12 Female 5m. 8 way
140102	Female QC Lead	M12 Female 10m. 8 way