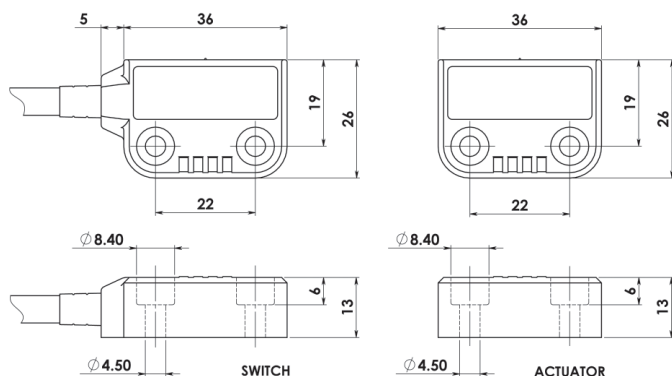


IDEMAG - Magnetic Non Contact Type: MPR

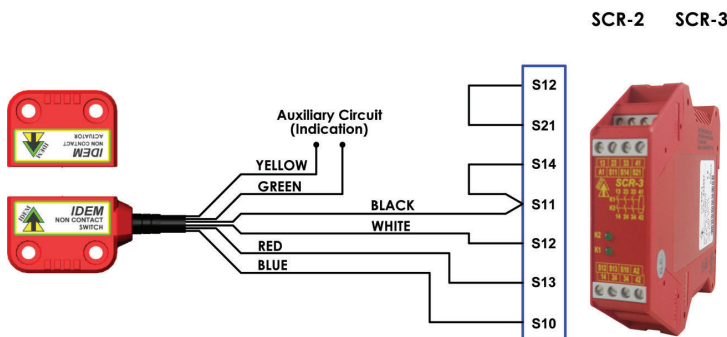
FEATURES:

Compact and robust fitting suitable for all small guard applications.
Hygienic screw covers ensure suitability for Food Processing washdown
Cost-effective interlock solution
Wide sensing at 12mm and high tolerance to misalignment
High specification polyester housing with integral back plate
Can be mounted unobtrusively in channels or behind doors
Left or Right Cable exit options available
High current switching capability up to 0.5A
Up to: PLe ISO13849-1
2NC 1NO circuits
Quick Connect versions available - M12 8 Way or M8 4 Way

DIMENSIONS:



CONNECTION EXAMPLE: Magnetic Switches



Standards: ISO14119 EN60947-5-1
EN60204-1 ISO13849-1 EN62061 UL508

Safety Classification and Reliability Data:

Mechanical Reliability B10d	3.3 x 10 ⁶ operations at 100mA load
ISO13849-1	Up to PLe depending upon system architecture
Safety Data – Annual Usage	8 cycles per hour/24 hours per day/365 days
	MTTFd 470 years
Medium Duty Safety Channel 1 NC	Voltage Free: 250Vac 0.5A Max. Rating
Safety Channel 2 NC	Voltage Free: 250Vac 0.5A Max. Rating
Safety Channel 3 NO	Voltage Free: 24Vdc 0.2A Max. Rating
Fuse	Internal 1.0A (F) External 0.4A (F) (User)
Contact Release Time	<2ms
Initial Contact Resistance	<500 milliohm
Minimum Switched Current	10Vdc 1mA
Dielectric Withstand	250Vac
Insulation Resistance	100 Mohms
Recommended Setting Gap	5mm
Switching Distance	Sao 8mm Close
(Target to Target)	Sar 22mm Open
Tolerance to Misalignment	5mm in any direction from 5mm setting gap
Switching Frequency	1.0Hz maximum
Approach Speed	200mm/min to 1000mm/sec
Body Material	UL approved polyester
Operating Temperature	-25C +80C
Enclosure Protection	IP69K (NEMA PW12) IP67 (NEMA 6)
Shock Resistance	IEC68-2-27 11ms 30g
Vibration Resistance	IEC68-2-6 10-55Hz 1mm
Cable Type	PVC 6 core 6mm OD Conductors 0.25mm ²
Mounting Bolts	2xM4 Tightening torque 1.0Nm
Mounting Position	Any

For all IDEM switches the normally closed (NC) circuits are closed when the guard is closed and the actuator is present.



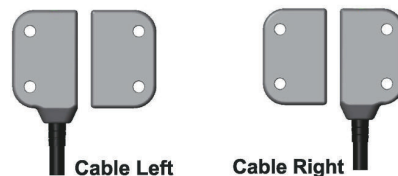
Magnetic Actuation

Switching Tolerance up to 12mm

Will operate with most Safety Relays



Left or Right Cable Exit Options available



Quick Connect M12 versions fitted with 250mm (10") cable

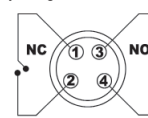
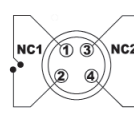


SALES NUMBER	TYPE	CABLE LENGTH	CIRCUITS
114001	MPR Cable Right	2M	2NC
114002	MPR Cable Right	5M	2NC
114003	MPR Cable Right	10M	2NC
114004	MPR Cable Right	QC-M12	2NC
114005	MPR Cable Right	2M	2NC 1NO
114006	MPR Cable Right	5M	2NC 1NO
114007	MPR Cable Right	10M	2NC 1NO
114008	MPR Cable Right	QC-M12	2NC 1NO
114009	MPR Cable Left	2M	2NC
114010	MPR Cable Left	5M	2NC
114011	MPR Cable Left	10M	2NC
114012	MPR Cable Left	QC-M12	2NC
114013	MPR Cable Left	2M	2NC 1NO
114014	MPR Cable Left	5M	2NC 1NO
114015	MPR Cable Left	10M	2NC 1NO
114016	MPR Cable Left	QC-M12	2NC 1NO

Alternative QC Version

M8 Universal

4 Way Integral Connector



M8 Connector Right

2NC Versions

1NC 1NO Versions

114020	MPR Connector Right	QC M8 2NC	Close 10mm Open 20mm
114021	MPR Connector Left	QC M8 2NC	Close 10mm Open 20mm
114022	MPR Connector Right	QC M8 1NC 1NO	Close 10mm Open 20mm
114023	MPR Connector Left	QC M8 1NC 1NO	Close 10mm Open 20mm
114024	MPR Connector Right	QC M8 2NC	Close 4mm Open 10mm
114025	MPR Connector Left	QC M8 2NC	Close 4mm Open 10mm
114026	MPR Connector Right	QC M8 1NC 1NO	Close 4mm Open 10mm
114027	MPR Connector Left	QC M8 1NC 1NO	Close 4mm Open 10mm

114300

Plastic 8mm Spacers (2) for use when mounting on Ferrous Materials

1 x Switch
1 x Actuator