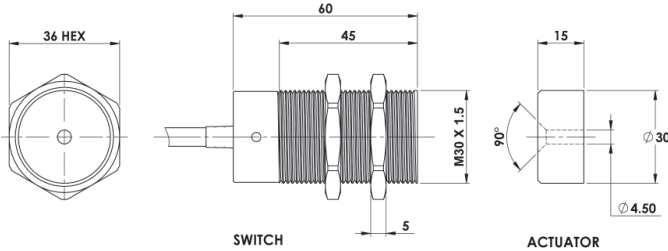


# HYGIECODE - Coded Non Contact Type: RMC

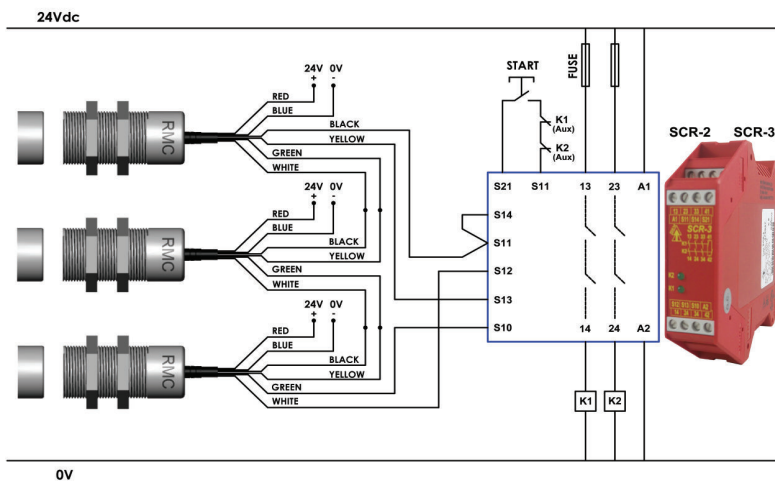
## FEATURES:

- Cylindrical fitting - suitable for industry applications
- Easy to install - M30 threaded body - easy to set
- Wide 10mm sensing - low hysteresis - no moving parts
- Suitable for harsh environments of Food Processing and Packaging
- CIP and SIP cleaning - Food Splash Zones EHEDG guidelines
- Can be flush mounted - Solid Stainless Steel 316 housing
- LED indication
- Can be high pressure hosed at high temperature - IP69K
- Up to: PLe ISO13849-1
- 2NC 1NO circuits - high switching life - no moving parts
- Quick Connect versions available

## DIMENSIONS:



## CONNECTION EXAMPLE: CODED SWITCHES



Three switches connected in series to an SCR-2 or SCR-3 to give Dual Channel guard monitoring with Manual Start and Contactor Feedback Check.

	140101	Female QC Lead	M12 Female 5m. 8 way
	140102	Female QC Lead	M12 Female 10m. 8 way

**Standards:** ISO14119 EN60947-5-1  
EN60204-1 ISO13849-1 EN62061 UL508

### Safety Classification and Reliability Data:

ISO13849-1	Up to PLe Category 4
PFHd	2.6 x 10 <sup>-10</sup>
Proof Test Interval (Life)	20 years
MTTFd	866 years
Safety Channel 1 NC	24Vdc 0.2A Max. Rating
Safety Channel 2 NC	24Vdc 0.2A Max. Rating
Safety Channel 3 NO	24Vdc 0.2A Max. Rating
Minimum Switched Current	10Vdc 1mA
Dielectric Withstand	250Vac
Insulation Resistance	100 Mohms
Recommended Setting Gap	5mm
Switching Distance	Sao 10mm Close
(Target to Target)	Sar 20mm Open
Tolerance to Misalignment	5mm in any direction from 5mm setting gap
Switching Frequency	1.0Hz maximum
Approach Speed	200mm/min to 1000mm/sec
Body Material	Stainless Steel 316 mirror polished finish to Ra4
Operating Temperature	-25C +105C (CIP SIP cleaning)
Enclosure Protection	IP69K IP67
Shock Resistance	IEC68-2-27 11ms 30g
Vibration Resistance	IEC68-2-6 10-55Hz 1mm
Cable Type	PVC 6 or 8 core 6mm OD Conductors 0.25mm <sup>2</sup>
Mounting Bolts	2xM4 Tightening torque 1.0Nm
Mounting Position	Any

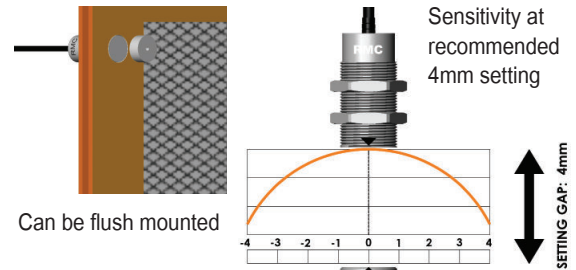
For all IDEM switches the normally closed (NC) circuits are closed when the guard is closed and the actuator is present.



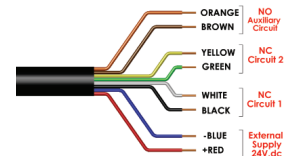
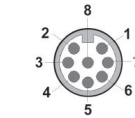
**Stainless Steel 316 Housing mirror polished (Ra4)**  
**Coded Magnetic Actuation**  
**Switching Tolerance up to 10mm**  
**Will operate with most Safety Relays**



Quick Connect M12 versions fitted with 250mm (10") cable



Can be flush mounted



Quick Connect QC M12 8 Way Male Plug Pin view from Switch	Flying Lead Colour	Circuit (Actuator Present)	Output Types Solid State
8	Orange	Auxiliary NO or NC	200mA Max. 24Vdc
5	Brown	Auxiliary NO or NC	24Vdc
4	Yellow	Safety NC2 +ve	200mA Max. 24Vdc
6	Green	Safety NC2 -ve	200mA Max. 24Vdc
7	Black	Safety NC1 +ve	200mA Max. 24Vdc
1	White	Safety NC1 -ve	24Vdc
2	Red	Supply +24Vdc	Supply 24Vdc +/- 10%
3	Blue	Supply 0Vdc	

SALES NUMBER	TYPE	CABLE LENGTH	CIRCUITS
134001	Hygiecode RMC	2M	2NC
134002	Hygiecode RMC	5M	2NC
134003	Hygiecode RMC	10M	2NC
134004	Hygiecode RMC	QC-M12	2NC
134005	Hygiecode RMC	2M	2NC 1NO
134006	Hygiecode RMC	5M	2NC 1NO
134007	Hygiecode RMC	10M	2NC 1NO
134008	Hygiecode RMC	QC-M12	2NC 1NO
134105	Hygiecode RMC	2M	3NC
134106	Hygiecode RMC	5M	3NC
134107	Hygiecode RMC	10M	3NC
134108	Hygiecode RMC	QC-M12	3NC

Note: 2NC 1NO versions have 2NC Safety and 1NO Auxiliary Circuits  
 3NC versions have 2NC Safety and 1NC Auxiliary Circuits  
**AVAILABLE WITHOUT LED IF REQUIRED.**