

IDEMAG - Magnetic Non Contact Type: RPR (Plastic)

FEATURES:

Cylindrical fitting suitable for all industry applications.
 Easy to install - M30 threaded body - easy to set
 Wide 10mm sensing
 Suitable for harsh environments of Food Processing and Packaging
 High specification red polyester housing
 Up to: PLe ISO13849-1
 2NC 1NO circuits
 Quick Connect versions available

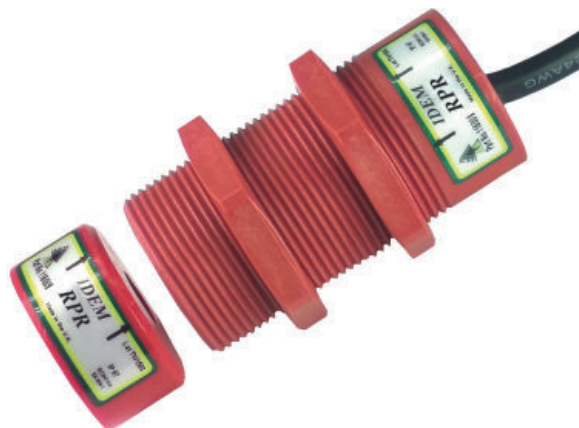
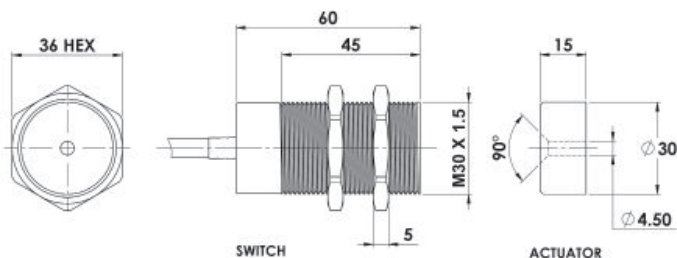
Magnetic Actuation

Switching Tolerance up to 10mm

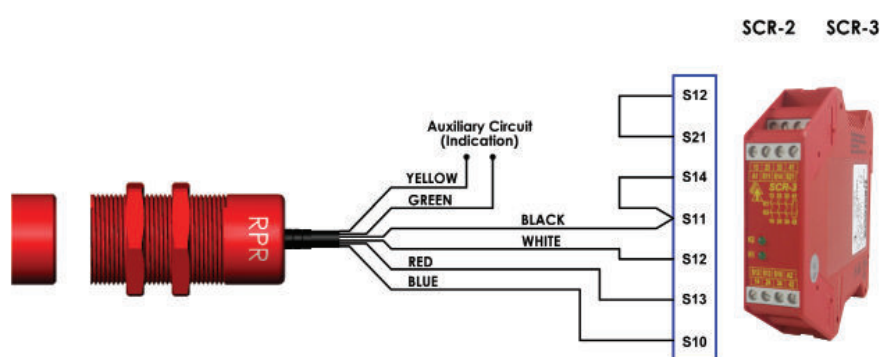
Will operate with most Safety Relays
Quick Connect versions available



DIMENSIONS:



CONNECTION EXAMPLE: Magnetic Switches

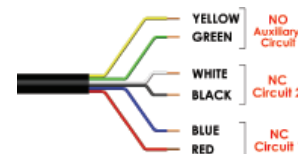
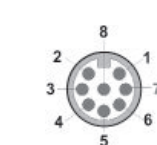
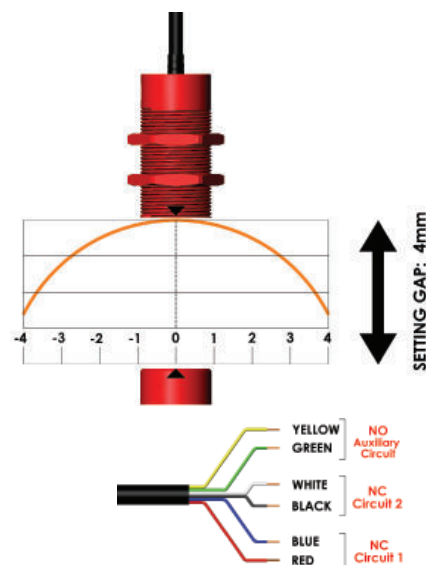


One switch connected to an SCR-2 or SCR-3 to give Dual Channel guard monitoring with Automatic Start.

Standards: ISO14119 EN60947-5-1
 EN60204-1 ISO13849-1 EN62061 UL508

| Safety Classification and Reliability Data: | |
|---|--|
| Mechanical Reliability B10d | 3.3 x 10 ⁶ operations at 100mA load |
| ISO13849-1 | Up to PLe depending upon system architecture |
| Safety Data – Annual Usage | 8 cycles per hour/24 hours per day/365 days |
| | MTTFd 470 years |
| Safety Channel 1 NC | Voltage Free: 24Vdc 0.5A Max. Rating |
| Safety Channel 2 NC | Voltage Free: 24Vdc 0.5A Max. Rating |
| Safety Channel 3 NO | Voltage Free: 24Vdc 0.2A Max. Rating |
| Minimum Switched Current | 10Vdc 1mA |
| Dielectric Withstand | 250Vac |
| Insulation Resistance | 100 Mohms |
| Recommended Setting Gap | 5mm |
| Switching Distance | Sao 8mm Close |
| (Target to Target) | Sar 20mm Open |
| Tolerance to Misalignment | 4mm in any direction from 4mm setting gap |
| Switching Frequency | 1.0Hz maximum |
| Approach Speed | 200mm/min to 1000mm/sec |
| Body Material | UL approved polyester |
| Operating Temperature | -25C +80C |
| Enclosure Protection | IP69K IP67 |
| Shock Resistance | IEC68-2-27 11ms 30g |
| Vibration Resistance | IEC68-2-6 10-55Hz 1mm |
| Cable Type | PVC 6 core 6mm OD Conductors 0.25mm ² |
| Mounting Position | Any |

SETTING GAP:



| Quick Connect QC M12 8 Way Male Plug Pin view from Switch | Standard Lead Colour | Circuit (Actuator Present) |
|---|----------------------|----------------------------|
| 4 | Yellow | NO |
| 6 | Green | NO |
| 7 | Black | NC2 |
| 1 | White | NC2 |
| 2 | Red | NC1 |
| 3 | Blue | NC1 |

| SALES NUMBER | TYPE | CABLE LENGTH | CIRCUITS |
|--------------|--------------------|--------------|----------|
| 116009 | Idemag RPR Plastic | 2M | 2NC |
| 116010 | Idemag RPR Plastic | 5M | 2NC |
| 116011 | Idemag RPR Plastic | 10M | 2NC |
| 116012 | Idemag RPR Plastic | QC-M12 | 2NC |
| 116013 | Idemag RPR Plastic | 2M | 2NC 1NO |
| 116014 | Idemag RPR Plastic | 5M | 2NC 1NO |
| 116015 | Idemag RPR Plastic | 10M | 2NC 1NO |
| 116016 | Idemag RPR Plastic | QC-M12 | 2NC 1NO |

For all IDEM switches the normally closed (NC) circuits are closed when the guard is closed and the actuator is present.



| | | |
|--------|----------------|-----------------------|
| 140101 | Female QC Lead | M12 Female 5m. 8 way |
| 140102 | Female QC Lead | M12 Female 10m. 8 way |