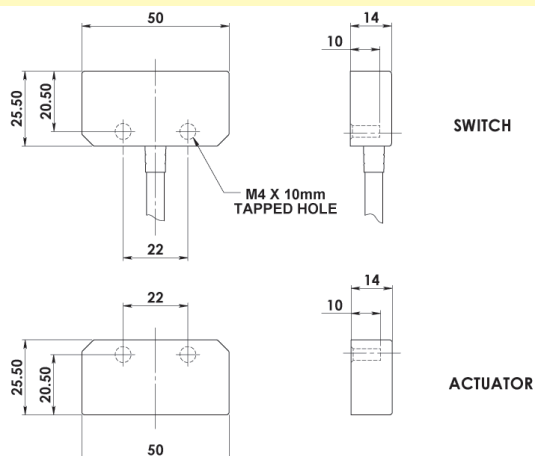


HYGIEMAG - Magnetic Non Contact Type: SMR-F

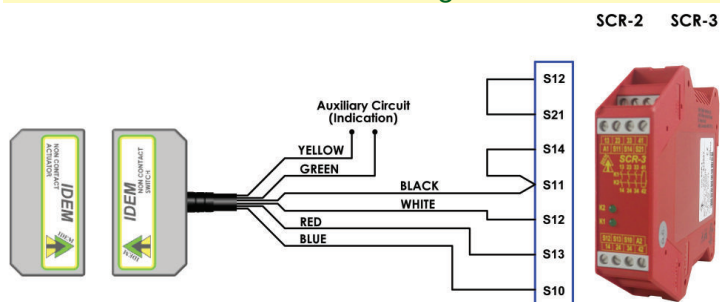
FEATURES:

Specifically designed for Food Processing applications
 Suitable for CIP and SIP cleaning - mounting holes at rear - no food traps
 Suitable for Food Contact Zones - EHEDG Guidelines
 Wide 12mm sensing with high tolerance to misalignment
 Universal housing - 22mm fixing hole centre - 50mm wide body
 Can be high pressure hosed at high temperature - IP69K
 Rear fixing with 2 x M4 tapped holes
 Up to: PLe ISO13849-1
 2NC 1NO circuits
 Quick Connect versions available

DIMENSIONS:



CONNECTION EXAMPLE: Magnetic Switches



One switch connected to an SCR-2 or SCR-3 to give Dual Channel guard monitoring but with Automatic Start.

Standards: ISO14119 EN60947-5-1
 EN60204-1 ISO13849-1 EN62061 UL508

Safety Classification and Reliability Data:

| | |
|---------------------------------|---|
| Mechanical Reliability B10d | 3.3 x 10 ⁶ operations at 100mA load |
| ISO13849-1 | Up to PLe depending upon system architecture |
| Safety Data – Annual Usage | 8 cycles per hour/24 hours per day/365 days |
| | MTTFd 470 years |
| Medium Duty Safety Channel 1 NC | Voltage Free: 250Vac 1.0A Max. Rating |
| Safety Channel 2 NC | Voltage Free: 250Vac 1.0A Max. Rating |
| Safety Channel 3 NO | Voltage Free: 24Vdc 0.2A Max. Rating |
| Fuse | Internal 1.0A (F) External 0.8A (F) (User) |
| Contact Release Time | <2ms |
| Initial Contact Resistance | <500 milliohm |
| Minimum Switched Current | 10Vdc 1mA |
| Dielectric Withstand | 250Vac |
| Insulation Resistance | 100 Mohms |
| Recommended Setting Gap | 5mm |
| Switching Distance | Sao 8mm Close |
| (Target to Target) | Sar 22mm Open |
| Tolerance to Misalignment | 5mm in any direction from 5mm setting gap |
| Switching Frequency | 1.0Hz maximum |
| Approach Speed | 200mm/min to 1000mm/sec |
| Body Material | Stainless Steel 316 mirror polished finish to Ra4 |
| Operating Temperature | -25C +105C (CIP SIP cleaning) |
| Enclosure Protection | IP69K (NEMA PW12) IP67 (NEMA 6) |
| Shock Resistance | IEC68-2-27 11ms 30g |
| Vibration Resistance | IEC68-2-6 10-55Hz 1mm |
| Cable Type | PVC 6 core 6mm OD Conductors 0.25mm ² |
| Mounting Bolts | 2xM4 Tightening torque 1.0Nm |
| Mounting Position | Any |

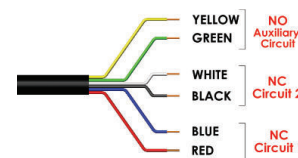
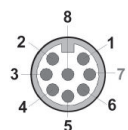
For all IDEM switches the normally closed (NC) circuits are closed when the guard is closed and the actuator is present.



Stainless Steel 316 Housing mirror polished (Ra4)
Magnetic Actuation - Power Series
Medium Duty 230Vac 1.0A/24Vdc 1.0A
Switching Tolerance up to 12mm
Will operate with most Safety Relays



Quick Connect M12 versions fitted with 250mm (10") cable



| Quick Connect QC M12 8 Way Male Plug Pin view from Switch | Standard Lead Colour | Circuit (Actuator Present) |
|---|----------------------|----------------------------|
| 4 | Yellow | NO |
| 6 | Green | NO |
| 7 | Black | NC2 |
| 1 | White | NC2 |
| 2 | Red | NC1 |
| 3 | Blue | NC1 |

| SALES NUMBER | TYPE | CABLE LENGTH | CIRCUITS |
|--------------|----------------|--------------|----------|
| 137009 | Hygiemag SMR-F | 2M | 2NC |
| 137010 | Hygiemag SMR-F | 5M | 2NC |
| 137011 | Hygiemag SMR-F | 10M | 2NC |
| 137012 | Hygiemag SMR-F | QC-M12 | 2NC |
| 137013 | Hygiemag SMR-F | 2M | 2NC 1NO |
| 137014 | Hygiemag SMR-F | 5M | 2NC 1NO |
| 137015 | Hygiemag SMR-F | 10M | 2NC 1NO |
| 137016 | Hygiemag SMR-F | QC-M12 | 2NC 1NO |
| 137017 | Hygiemag SMR-F | 2M | 1NC |
| 137018 | Hygiemag SMR-F | 5M | 1NC |
| 137019 | Hygiemag SMR-F | 10M | 1NC |
| 137020 | Hygiemag SMR-F | QC-M12 | 1NC |
| 137021 | Hygiemag SMR-F | 2M | 1NC 1NO |
| 137022 | Hygiemag SMR-F | 5M | 1NC 1NO |
| 137023 | Hygiemag SMR-F | 10M | 1NC 1NO |
| 137024 | Hygiemag SMR-F | QC-M12 | 1NC 1NO |

| | | |
|--------|----------------|-----------------------|
| 140101 | Female QC Lead | M12 Female 5m. 8 way |
| 140102 | Female QC Lead | M12 Female 10m. 8 way |