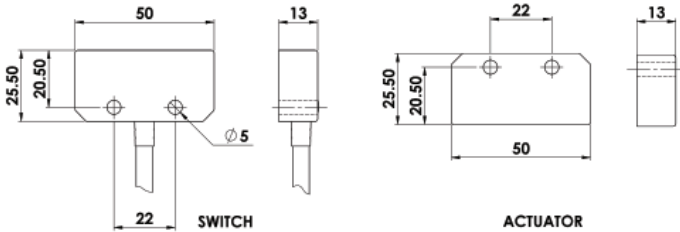


HYGIEMAG - Magnetic Non Contact Type: SMR-H

FEATURES:

Robust Stainless Steel 316 enclosure designed to survive Food Processing, Packaging and Pharmaceutical applications
 Through hole fixing to enable front mounting by Hexagon head bolts - no food trap areas
 Suitable for CIP and SIP cleaning -
 Food Contact or Food Splash Zones EHEDG guidelines
 Universal Housing - 22mm fixing hole centre with 50mm wide body
 Wide sensing at 12mm with high tolerance to misalignment
 Up to: PLe ISO13849-1
 2NC 1NO circuits
 Quick Connect versions available

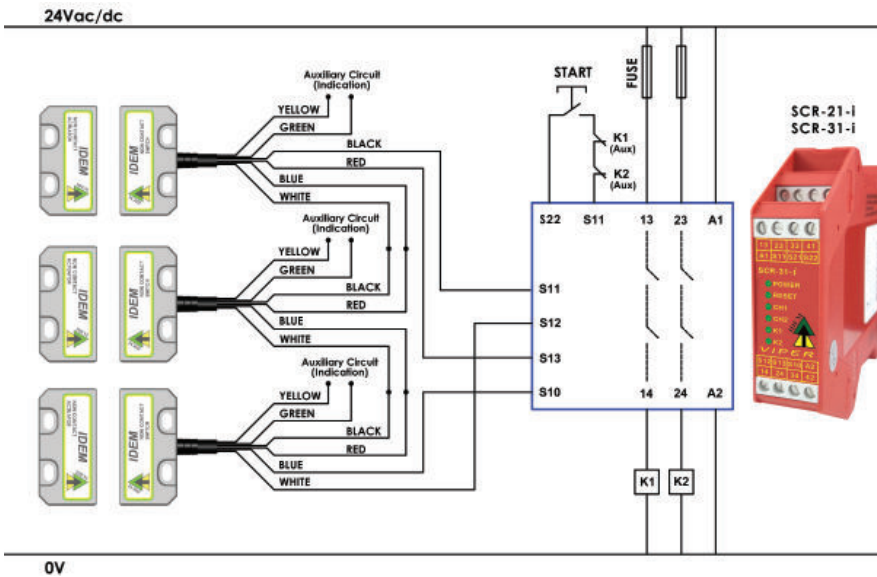
DIMENSIONS:



Stainless Steel 316 Housing mirror polished (Ra4)
Magnetic Actuation
Switching Tolerance up to 12mm
Will operate with most Safety Relays



CONNECTION EXAMPLE: Magnetic Switches



Use Hexagon Head Bolts for ease of cleaning

Three switches connected to an SCR-21-i or SCR-31-i to give Dual Channel guard monitoring with monitored Manual Start and Contactor Feedback check. Auxiliary circuits provide remote signalling from each switch.

Standards: ISO14119 EN60947-5-1
 EN60204-1 ISO13849-1 EN62061 UL508

Safety Classification and Reliability Data:

Mechanical Reliability B10d
 ISO13849-1
 Safety Data – Annual Usage
 MTTFd 470 years
 Safety Channel 1 NC
 Safety Channel 2 NC
 Safety Channel 3 NO
 Fuse Internal 1.0A (F) External 0.8A (F) (User)
 Contact Release Time <2ms
 Initial Contact Resistance <500 milliohm
 Minimum Switched Current 10Vdc 1mA
 Dielectric Withstand 250Vac
 Insulation Resistance 100 Mohms
 Recommended Setting Gap 5mm
 Switching Distance Sao 8mm Close Sar 22mm Open (Target to Target)
 Tolerance to Misalignment 5mm in any direction from 5mm setting gap
 Switching Frequency 1.0Hz maximum
 Approach Speed 200mm/min to 1000mm/sec
 Body Material Stainless Steel 316 mirror polished finish to Ra4
 Operating Temperature -25C +105C (CIP SIP cleaning)
 Enclosure Protection IP69K (NEMA PW12) IP67 (NEMA 6)
 Shock Resistance IEC68-2-27 11ms 30g
 Vibration Resistance IEC68-2-6 10-55Hz 1mm
 Cable Type PVC 6 core 6mm OD Conductors 0.25mm²
 Mounting Bolts 2xM4 Tightening torque 1.0Nm
 Mounting Position Any

Quick Connect QC M12 8 Way Male Plug Pin view from Switch	Standard Lead Colour	Circuit (Actuator Present)
4	Yellow	NO
6	Green	NO
7	Black	NC2
1	White	NC2
2	Red	NC1
3	Blue	NC1

SALES NUMBER	TYPE	CABLE LENGTH	CIRCUITS
132009	Hygiemag SMR-H	2M	2NC
132010	Hygiemag SMR-H	5M	2NC
132011	Hygiemag SMR-H	10M	2NC
132012	Hygiemag SMR-H	QC-M12	2NC
132013	Hygiemag SMR-H	2M	2NC 1NO
132014	Hygiemag SMR-H	5M	2NC 1NO
132015	Hygiemag SMR-H	10M	2NC 1NO
132016	Hygiemag SMR-H	QC-M12	2NC 1NO

For all IDEM switches the normally closed (NC) circuits are closed when the guard is closed and the actuator is present.

140101	Female QC Lead	M12 Female 5m. 8 way
140102	Female QC Lead	M12 Female 10m. 8 way