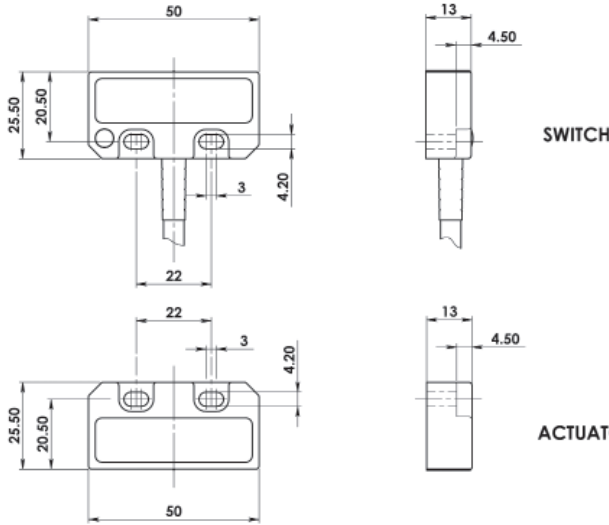


RFID Coded Non Contact Type: SPF

FEATURES:

Universal fitting - established 22mm footprint suitable for most applications
 Withstands environments where high humidity or hose down is required
 High specification and durable polyester housing
 Wide 14mm sensing with high tolerance to misalignment
 Up to: PLe ISO13849-1
 2NC 1NO circuits - high switching life - no moving parts
 Quick Connect versions available

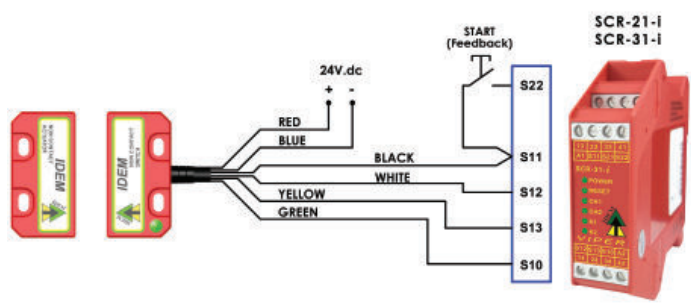
DIMENSIONS:



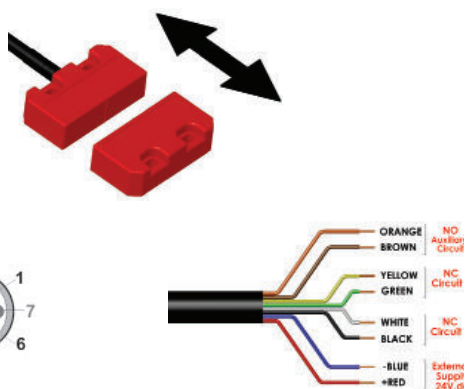
RFID Coded Actuation
Switching Tolerance up to 14mm
Will operate with most Safety Relays



CONNECTION EXAMPLE:



OPERATING DIRECTION:



Single switch connected to an SCR-21-i or SCR-31-i to give Dual Channel Monitoring with Manual Start.

Standards: ISO14119 EN60947-5-3 EN60204-1 ISO13849-1 EN62061 UL508

Safety Classification and Reliability Data:

- Minimum switched current: 10V.dc 1mA
- Dielectric Withstand: 250V.ac
- Insulation Resistance: 100 Mohms
- Recommended setting gap: 5mm
- Switching Distance: Sao 8mm Close, Sar 20mm Open
- Tolerance to Misalignment: 5mm in any direction from 5mm setting gap
- Switching frequency: 1.0 Hz maximum
- Approach speed: 200mm/m to 1000mm/s
- Body material: Polyester
- Temperature Range: -25/80C
- Enclosure Protection: IP67/IP69K
- Cable Type: PVC 6 or 8 core 6mm OD Conductors 0.25mm²
- Mounting Bolts: 2 x M4 Tightening torque 1.0 Nm
- Mounting Position: Any

Characteristic Data according to IEC62061 (used as a sub system):

- Safety Integrity Level: SIL3
- PFH (1/h): 4.77E-10 Corresponds to 4.8% of SIL3
- PFD: 4.18E-05 Corresponds to 4.2% of SIL3
- Proof Test Interval T₁: 20a

Characteristic Data according to EN ISO13849-1:

- Performance Level: e If both channels are used in combination with a SIL3/PL e control device
- Category: Cat4
- MTTFd: 1100a
- Diagnostic Coverage DC: 99% (high)
- Number of operating days per year: d_{op} = 365d
- Number of operating hours per day: h_{op} = 24h
- B10d: not mechanical parts implemented

When the product is used deviant from these assumptions (different load, operating frequency, etc.) the values have to be adjusted accordingly.

Quick Connect QC M12 8 Way Male Plug Pin view from Switch	Flying Lead Colour	Circuit (Actuator Present)	Output Types Solid State
8	Orange	Auxiliary NO	200mA Max. 24Vdc
5	Brown	Auxiliary NO	
4	Yellow	Safety NC2	200mA Max. 24Vdc
6	Green	Safety NC2	
7	Black	Safety NC1	200mA Max. 24Vdc
1	White	Safety NC1	
2	Red	Supply +24Vdc	Supply 24Vdc +/- 10%
3	Blue	Supply 0Vdc	

SALES NUMBER	MASTER CODED (same code every switch)	CABLE LENGTH
405101	SPF-M-RFID	2M
405102	SPF-M-RFID	5M
405103	SPF-M-RFID	10M
405104	SPF-M-RFID	QC-M12
405201	Replacement Actuator Master Coded	

SALES NUMBER	UNIQUELY CODED (every switch unique activation)	CABLE LENGTH
405001	SPF-U-RFID	2M
405002	SPF-U-RFID	5M
405003	SPF-U-RFID	10M
405004	SPF-U-RFID	QC-M12

	140101	Female QC Lead	M12 Female 5m. 8 way
	140102	Female QC Lead	M12 Female 10m. 8 way

For all IDEM switches the normally closed (NC) circuits are closed when the guard is closed and the actuator is present.