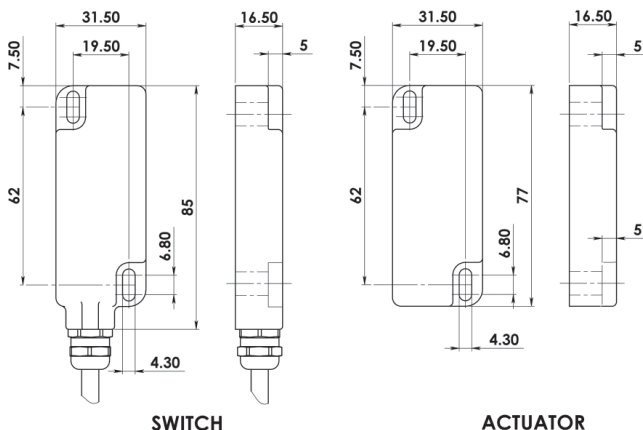


# HYGIECODE - Coded Non Contact Type: WMC

## FEATURES:

- Specifically designed for Food Processing applications -
- Stainless Steel 316 Housing Mirror Polished finish (Ra4)
- Robust 32mm wide housing, no moving parts - survives shock and vibration
- Can be high pressure hosed at high temperature - IP69K
- Wide 14mm sensing with high tolerance to misalignment
- Suitable for CIP and SIP cleaning -
- Food Splash Zones EHEDG guidelines
- LED indication
- Up to: PLe ISO13849-1
- 2NC 1NO circuits - high switching life - no moving parts

## DIMENSIONS:



**CE** **cUL** **us** **TUV**

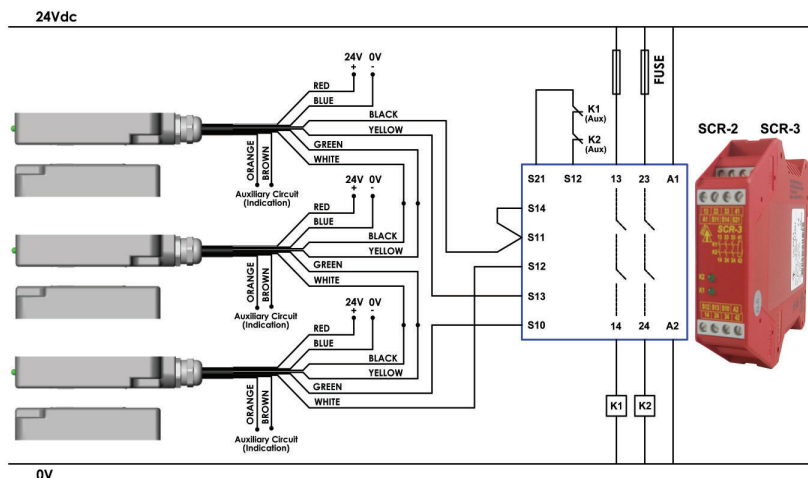
**Stainless Steel 316 Housing mirror polished (Ra4)**  
**Coded Magnetic Actuation**  
**Switching Tolerance up to 14mm**  
**Will operate with most Safety Relays**



Quick Connect M12 versions fitted with 250mm (10") cable



## CONNECTION EXAMPLE: CODED SWITCHES



Quick Connect QC M12 8 Way Male Plug Pin view from Switch	Flying Lead Colour	Circuit (Actuator Present)	Output Types Solid State
8	Orange	Auxiliary NO or NC	200mA Max. 24Vdc
5	Brown	Auxiliary NO or NC	200mA Max. 24Vdc
4	Yellow	Safety NC2	200mA Max. 24Vdc
6	Green	Safety NC2	200mA Max. 24Vdc
7	Black	Safety NC1	200mA Max. 24Vdc
1	White	Safety NC1	200mA Max. 24Vdc
2	Red	Supply +24Vdc	Supply 24Vdc +/- 10%
3	Blue	Supply 0Vdc	Supply 24Vdc +/- 10%

Three switches connected in series to an SCR-2 or SCR-3 to give Dual Channel monitoring with Automatic Start and Contactor Feedback Check. Optional auxiliary circuits provide for remove signalling from each switch.

Standards: ISO14119 EN60947-5-1  
 EN60204-1 ISO13849-1 EN62061 UL508

### Safety Classification and Reliability Data:

ISO13849-1	Up to PLe Category 4
PFHd	2.6 x 10 <sup>-10</sup>
Proof Test Interval (Life)	20 years
MTTFd	866 years
Safety Channel 1 NC	24Vdc 0.2A Max. Rating
Safety Channel 2 NC	24Vdc 0.2A Max. Rating
Safety Channel 3 NO	24Vdc 0.2A Max. Rating
Minimum Switched Current	10Vdc 1mA
Dielectric Withstand	250Vac
Insulation Resistance	100 Mohms
Recommended Setting Gap	5mm
Switching Distance	Sao 10mm Close
(Target to Target)	Sar 20mm Open
Tolerance to Misalignment	5mm in any direction from 5mm setting gap
Switching Frequency	1.0Hz maximum
Approach Speed	200mm/min to 1000mm/sec
Body Material	Stainless Steel 316 mirror polished finish to Ra4
Operating Temperature	-25C +105C (CIP SIP cleaning)
Enclosure Protection	IP69K (NEMA PW12) IP67 (NEMA 6)
Shock Resistance	IEC68-2-27 11ms 30g
Vibration Resistance	IEC68-2-6 10-55Hz 1mm
Cable Type	PVC 6 or 8 core 6mm OD Conductors 0.25mm <sup>2</sup>
Mounting Bolts	2xM4 Tightening torque 1.0Nm
Mounting Position	Any



140101	Female QC Lead	M12 Female 5m. 8 way
140102	Female QC Lead	M12 Female 10m. 8 way

SALES NUMBER	TYPE	CABLE LENGTH	CIRCUITS
136013	Hygiecode WMC	2M	2NC
136014	Hygiecode WMC	5M	2NC
136015	Hygiecode WMC	10M	2NC
136016	Hygiecode WMC	QC-M12	2NC
136017	Hygiecode WMC	2M	2NC 1NO
136018	Hygiecode WMC	5M	2NC 1NO
136019	Hygiecode WMC	10M	2NC 1NO
136020	Hygiecode WMC	QC-M12	2NC 1NO

AVAILABLE WITHOUT LED IF REQUIRED.

For all IDEM switches the normally closed (NC) circuits are closed when the guard is closed and the actuator is present.