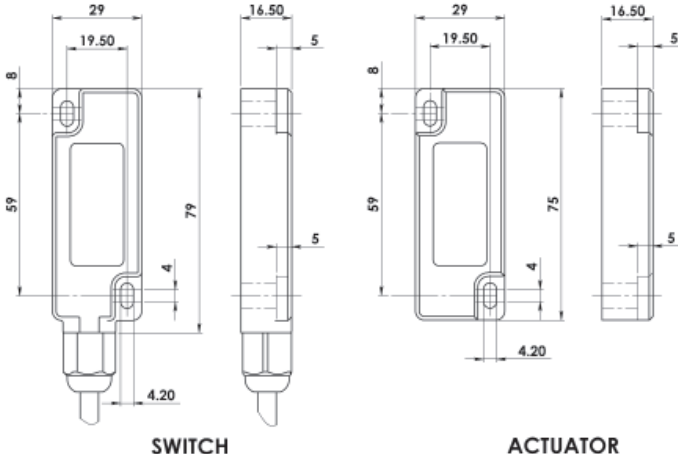


RFID Coded Non Contact Type: WPF

FEATURES:

Designed with a slim fitting making it suitable for all industry applications
 Wide 14mm sensing with high tolerance to misalignment
 High specification and durable polyester housing
 Wide 14mm sensing with high tolerance to misalignment
 LED indication - no moving parts - survives shock and vibration
 Up to: PLe ISO13849-1
 2NC 1NO circuits - high switching life - no moving parts
 Quick Connect versions available

DIMENSIONS:

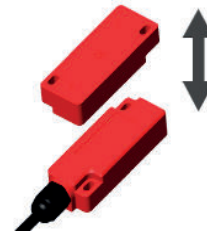


Coded Magnetic Actuation
Switching Tolerance up to 14mm
Will operate with most Safety Relays

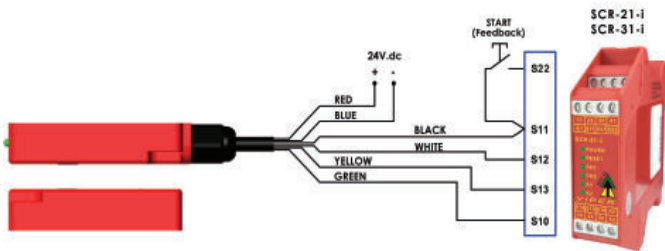


Quick Connect M12 versions fitted with 250mm (10") cable

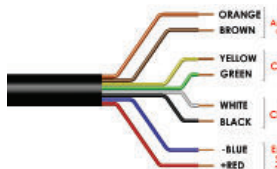
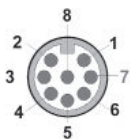
OPERATING DIRECTION:



CONNECTION EXAMPLE



One switch connected to an SCR-21-i or SCR-31-i to give Dual Channel monitoring with manual start and contactor feedback check.



Standards: ISO14119 EN60947-5-3 EN60204-1 ISO13849-1 EN62061 UL508

Safety Classification and Reliability Data:

- Minimum switched current: 10V.d.c 1mA
- Dielectric Withstand: 250V.ac
- Insulation Resistance: 100 Mohms
- Recommended setting gap: 5mm
- Switching Distance: Sao 8mm Close, Sar 20mm Open
- Tolerance to Misalignment: 5mm in any direction from 5mm setting gap
- Switching frequency: 1.0 Hz maximum
- Approach speed: 200mm/m to 1000mm/s
- Body material: Polyester
- Temperature Range: -25/55C
- Enclosure Protection: IP67/IP69K
- Cable Type: PVC 6 or 8 core 6mm OD Conductors 0.25mm²
- Mounting Bolts: 2 x M4 Tightening torque 1.0 Nm
- Mounting Position: Any

Characteristic Data according to IEC62061 (used as a sub system):

- Safety Integrity Level: SIL3
- PFH (1/h): 4.77E-10 Corresponds to 4.8% of SIL3
- PFH: 4.18E-05 Corresponds to 4.2% of SIL3
- Proof Test Interval T₁: 20a

Characteristic Data according to EN ISO13849-1:

- Performance Level: e If both channels are used in combination with a SIL3/PLe control device
- Category: Cat4
- MTTFd: 1100a
- Diagnostic Coverage DC: 99% (high)
- Number of operating days per year: d_{op} = 365d
- Number of operating hours per day: h_{op} = 24h
- B10d: not mechanical parts implemented

When the product is used deviant from these assumptions (different load, operating frequency, etc.) the values have to be adjusted accordingly.

Quick Connect QC M12 8 Way Male Plug Pin view from Switch	Flying Lead Colour	Circuit (Actuator Present)	Output Types Solid State
8	Orange	Auxiliary NO	200mA Max. 24Vdc
5	Brown	Auxiliary NO	200mA Max. 24Vdc
4	Yellow	Safety NC2	200mA Max. 24Vdc
6	Green	Safety NC2	200mA Max. 24Vdc
7	Black	Safety NC1	200mA Max. 24Vdc
1	White	Safety NC1	200mA Max. 24Vdc
2	Red	Supply +24Vdc	Supply 24Vdc
3	Blue	Supply 0Vdc	+/- 10%

SALES NUMBER	MASTER CODED (same code every switch)	CABLE LENGTH
407102	WPF-M-RFID	5M
407103	WPF-M-RFID	10M
407104	WPF-M-RFID	QC-M12
407201	Replacement Actuator Master Coded	

SALES NUMBER	UNIQUELY CODED (every switch unique activation)	CABLE LENGTH
407002	WPF-U-RFID	5M
407003	WPF-U-RFID	10M
407004	WPF-U-RFID	QC-M12

For all IDEM switches the normally closed (NC) circuits are closed when the guard is closed and the actuator is present.

	140101	Female QC Lead	M12 Female 5m. 8 way
	140102	Female QC Lead	M12 Female 10m. 8 way