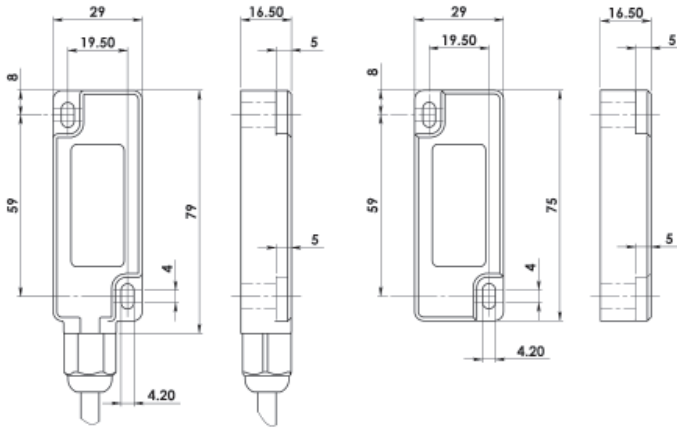


IDEMAG - Magnetic Non Contact Type: WPR

FEATURES:

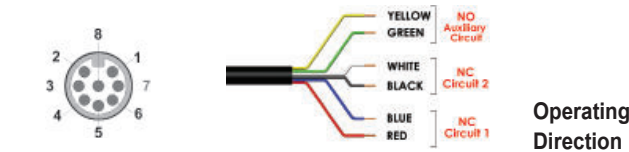
Robust wide fitting suitable for all industry applications.
 Wide 12mm sensing and high tolerance to misalignment
 Long life high power switching capability: Heavy Duty 2A
 Up to: PLe ISO13849-1
 2NC 1NO circuits
 Quick Connect versions available

DIMENSIONS:



SWITCH

ACTUATOR



Quick Connect QC M12 8 Way Male Plug Pin view from Switch	Standard Lead Colour	Circuit (Actuator Present)
4	Yellow	NO
6	Green	NO
7	Black	NC2
1	White	NC2
2	Red	NC1
3	Blue	NC1

Alternative QC option:



NC1 Pins 1 and 2
 NC2 Pins 3 and 4
 M12 4 Way Versions
 Asi compatible Pin out
 Pin view from switch

Standards: ISO14119 EN60947-5-1
 EN60204-1 ISO13849-1 EN62061 UL508

Safety Classification and Reliability Data:

Mechanical Reliability B10d 3.3 x 10⁶ operations at 100mA load
 ISO13849-1 Up to PLe depending upon system architecture
 Safety Data – Annual Usage 8 cycles per hour/24 hours per day/365 days
 MTTFd 470 years

Heavy Duty	Safety Channel 1 NC	Safety Channel 2 NC	Safety Channel 3 NO	Fuse	Contact Release Time	Initial Contact Resistance	Minimum Switched Current	Dielectric Withstand	Insulation Resistance	Recommended Setting Gap	Switching Distance (Target to Target)	Tolerance to Misalignment	Switching Frequency	Approach Speed	Body Material	Operating Temperature	Enclosure Protection	Shock Resistance	Vibration Resistance	Cable Type	Mounting Bolts	Mounting Position
				Internal 2.0A (F) External 1.6A (F) (User)	<2ms	<500 milliohm	10Vdc 1mA	250Vac	100 Mohms	5mm	Sao 8mm Close Sar 22mm Open	5mm in any direction from 5mm setting gap	1.0Hz maximum	200mm/min to 1000mm/sec	UL approved polyester	-25C +80C	IP69K (NEMA PW12) IP67 (NEMA 6)	IEC68-2-27 11ms 30g	IEC68-2-6 10-55Hz 1mm	PVC 6 core 6mm OD Conductors 0.25mm ²	2xM4 Tightening torque 1.0Nm	Any

For all IDEM switches the normally closed (NC) circuits are closed when the guard is closed and the actuator is present.

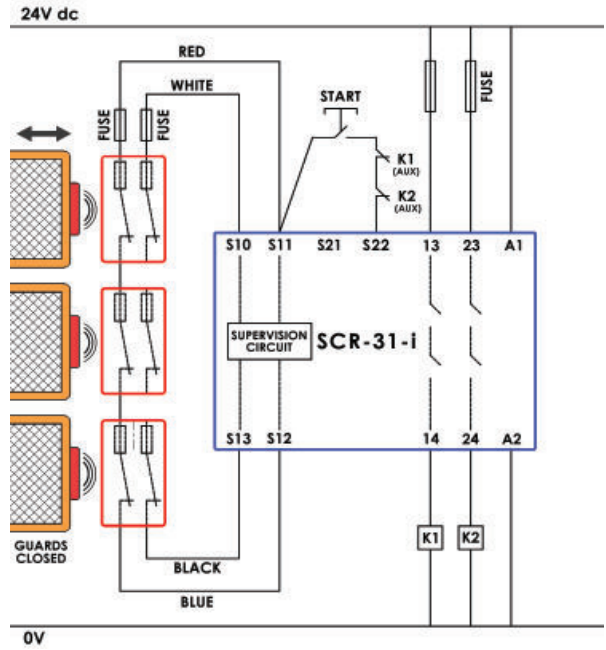


Magnetic Actuation - Power Series
Switching Tolerance up to 12mm
Heavy Duty version 230Vac/24Vdc 2A
Will operate with most Safety Relays



Quick Connect M12 versions fitted with 250mm (10") cable

CONNECTION EXAMPLE: Magnetic Switches



Three switches connected in series to an SCR-21-i or SCR-31-i to give Dual Channel guard monitoring but with Monitored Manual Start and Contactor Feedback check.

SALES NUMBER	TYPE	CABLE LENGTH	CIRCUITS
112001	Idemag WPR	2M	2NC
112002	Idemag WPR	5M	2NC
112003	Idemag WPR	10M	2NC
112004	Idemag WPR	QC-M12	2NC
112005	Idemag WPR	2M	2NC 1NO
112006	Idemag WPR	5M	2NC 1NO
112007	Idemag WPR	10M	2NC 1NO
112008	Idemag WPR	QC-M12	2NC 1NO
112009	Idemag WPR	2M	1NC 1NO
112010	Idemag WPR	5M	1NC 1NO
112011	Idemag WPR	10M	1NC 1NO
112012	Idemag WPR	QC-M12	1NC 1NO

140101	Female QC Lead	M12 Female 5m.	8 way
140102	Female QC Lead	M12 Female 10m.	8 way

112300	Plastic 8mm Spacers (2) for use when mounting on Ferrous Materials	1 x Switch 1 x Actuator
--------	--	----------------------------