

RFID Coded Non Contact with Auto Test Type: BPZ

FEATURES & APPLICATION:

Will connect to most popular standard Safety Relays to maintain a PLe Safety Level even with switches connected in series.

M18 cylindrical barrel housing in high specification polyester, IP69K, can be used in almost any environment including high pressure cleaning.

Easy to understand LED diagnostic functions and provide auxiliary outputs for extra diagnostic signals to PLCs or computers.

The typical sensing distance "ON" is 10mm with wide tolerance to guard misalignment after setting.

RFID sensing provides a tamper resistant operation when the actuator is in the sensing range of the switch.

Available in 2 Versions:

VERSION 1: Type M Master code - any actuator will operate any switch. For when unique door activation is not required, but RFID makes it virtually impossible to be overridden or by-passed by simple means.

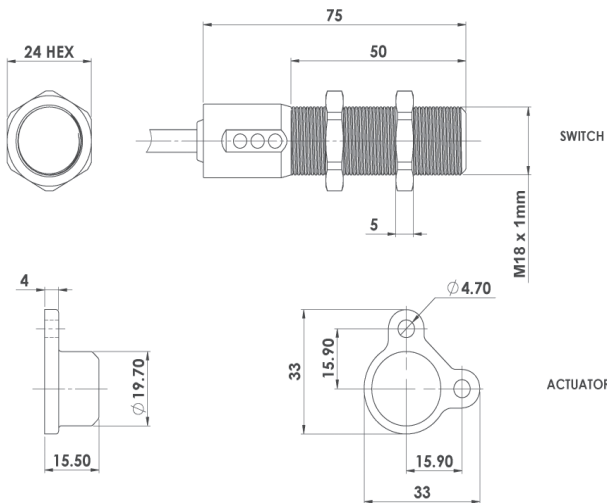
VERSION 2: Type U 32,000,000 Unique codes - factory set and used when **unique** activation is required in areas where there are many interlocked doors and security of individual areas is required.

IP69K



Quick Connect M12 versions fitted with 250mm (10") cable

DIMENSIONS:



Standards: ISO14119 EN60947-5-3 EN62024-1
ISO13849-1 EN62061 UL508

Safety Classification and Reliability Data:

- Minimum switched current: 10V.dc 1mA
- Dielectric Withstand: 250V.ac
- Insulation Resistance: 100 Mohms
- Recommended setting gap: 5mm
- Switching Distance: Sao 8mm Close Sar 20mm Open
- Tolerance to Misalignment: 5mm in any direction from 5mm setting gap
- Switching frequency: 1.0 Hz maximum
- Approach speed: 200mm/m to 1000mm/s
- Body material: Polyester M18 Barrel
- Temperature Range: -25/80C
- Enclosure Protection: IP67, IP69K
- Cable Type: PVC 6 or 8 core 6mm OD Conductors 0.25mm²
- Mounting Position: Any

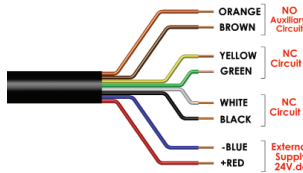
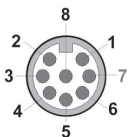
Characteristic Data according to IEC62061 (used as a sub system):

- Safety Integrity Level SIL3
- PFH (1/h) 4.77E-10 Corresponds to 4.8% of SIL3
- Proof Test Interval T₁ 20a

Characteristic Data according to EN ISO13849-1:

- Performance Level e If both channels are used in combination with a SIL3/PLc control device
- Category Cat4
- MTTFd 1100a
- Diagnostic Coverage DC 99% (high)
- Number of operating days per year: d_{op} = 365d
- Number of operating hours per day: h_{op} = 24h
- B10d not mechanical parts implemented

When the product is used deviant from these assumptions (different load, operating frequency, etc.) the values have to be adjusted accordingly.



Quick Connect QC M12 8 Way Male Plug Pin view from Switch	Flying Lead Colour	Circuit (Actuator Present)
2	Red	Supply +24Vdc
3	Blue	Supply 0Vdc
7	Black	Safety Input 1
1	White	Safety Output 1
4	Yellow	Safety Input 2
6	Green	Safety Output 2
5		Not used
8	Orange	Auxiliary

SALES NUMBER	UNIQUELY CODED (every switch unique activation)	CABLE LENGTH
410101	BPZ-U	5M
410102	BPZ-U	10M
410103	BPZ-U	QC-M12

SALES NUMBER	MASTER CODED (same code every switch)	CABLE LENGTH
410001	BPZ-M	5M
410002	BPZ-M	10M
410003	BPZ-M	QC-M12
410200	Replacement Actuator Master Coded	

	140101	Female QC Lead	M12 Female 5m. 8 way
	140102	Female QC Lead	M12 Female 10m. 8 way

For all IDEM switches the normally closed (NC) circuits are closed when the guard is closed and the actuator is present.