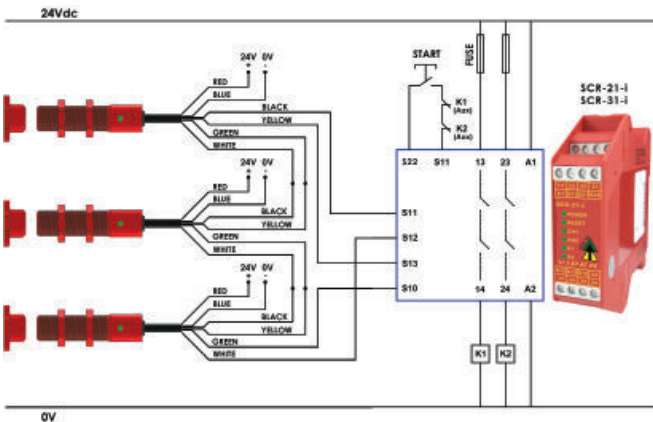


# RFID Coded Non Contact Type: BPF

## FEATURES:

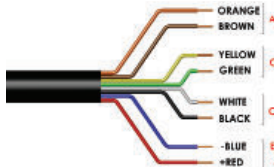
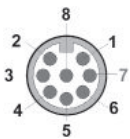
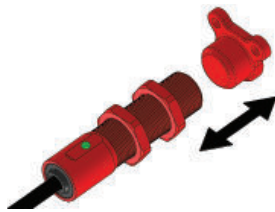
M18 cylindrical fitting suitable for all industry applications.  
 Easy to install - M18 threaded body - easy to set  
 10mm typical switching distance.  
 Suitable for harsh environments of Food Processing and Packaging  
 High specification red polyester housing  
 For use in applications up to PLe/Cat4 (EN ISO 13849-1) and SIL3 (IEC 61508)  
 LED indication and Quick Connect versions available  
 Can be high pressure hosed at high temperature due to IP69K rating  
 2NC 1NO circuits - high switching life - no moving parts

## CONNECTION EXAMPLE



Three switches connected in series to an SCR-21-i or SCR-31-i to give Dual Channel monitoring with monitored Manual Start and Contactor Feedback Check

## OPERATING DIRECTION:



Quick Connect QC M12 8 Way Male Plug Pin view from Switch	Flying Lead Colour	Circuit (Actuator Present)	Output Types Solid State
8	Orange	Auxiliary NO	200mA Max. 24Vdc
5	Brown	Auxiliary NO	200mA Max. 24Vdc
4	Yellow	Safety NC2	200mA Max. 24Vdc
6	Green	Safety NC2	200mA Max. 24Vdc
7	Black	Safety NC1	200mA Max. 24Vdc
1	White	Safety NC1	200mA Max. 24Vdc
2	Red	Supply +24Vdc	Supply 24Vdc +/- 10%
3	Blue	Supply 0Vdc	Supply 24Vdc +/- 10%

SALES NUMBER	MASTER CODED (same code every switch)	CABLE LENGTH
413001	BPF-M-RFID	5M
413002	BPF-M-RFID	10M
413003	BPF-M-RFID	QC-M12
413200	Replacement Actuator Master Coded	

SALES NUMBER	UNIQUELY CODED (every switch unique activation)	CABLE LENGTH
413101	BPF-U-RFID	5M
413102	BPF-U-RFID	10M
413103	BPF-U-RFID	QC-M12

## RFID Coded Actuation

Typical switching distance 10mm

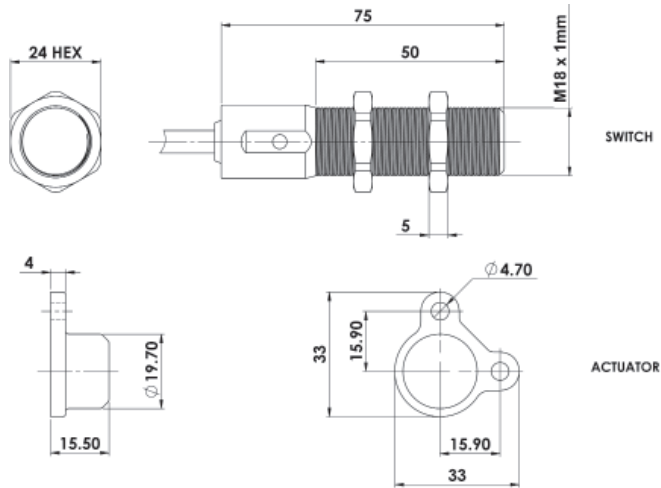
Will operate with most Safety Relays

IP69K



Quick Connect M12 versions fitted with 250mm (10") cable

## DIMENSIONS:



Standards: ISO14119 EN60947-5-3 EN60204-1 ISO13849-1 EN62061 UL508

### Safety Classification and Reliability Data:

Minimum switched current: 10V.dc 1mA  
 Dielectric Withstand: 250V.ac  
 Insulation Resistance: 100 Mohms  
 Recommended setting gap: 5mm  
 Switching Distance: Sao 8mm Close Sar 20mm Open  
 Tolerance to Misalignment: 5mm in any direction from 5mm setting gap  
 Switching frequency: 1.0 Hz maximum  
 Approach speed: 200mm/m to 1000mm/s  
 Body material: Polyester  
 Temperature Range: -25/80C  
 Enclosure Protection: IP67/IP69K  
 Cable Type: PVC 8 core 6mm OD Conductors 0.25mm<sup>2</sup>

### Characteristic Data according to IEC62061 (used as a sub system):

Safety Integrity Level SIL3  
 PFH (1/h) 4.77E-10 Corresponds to 4.8% of SIL3  
 PFD 4.18E-05 Corresponds to 4.2% of SIL3  
 Proof Test Interval T1 20a

### Characteristic Data according to EN ISO13849-1:

Performance Level e If both channels are used in combination with SIL3/PLc control device  
 Category Cat4  
 MTTFd 1100a  
 Diagnostic Coverage DC 99% (high)  
 Number of operating days per year: d<sub>op</sub> = 365d  
 Number of operating hours per day: h<sub>op</sub> = 24h  
 B10d not mechanical parts implemented

When the product is used deviant from these assumptions (different load, operating frequency, etc.) the values have to be adjusted accordingly.

140101	Female QC Lead	M12 Female 5m. 8 way
140102	Female QC Lead	M12 Female 10m. 8 way

For all IDEM switches the normally closed (NC) circuits are closed when the guard is closed and the actuator is present.